

Customer

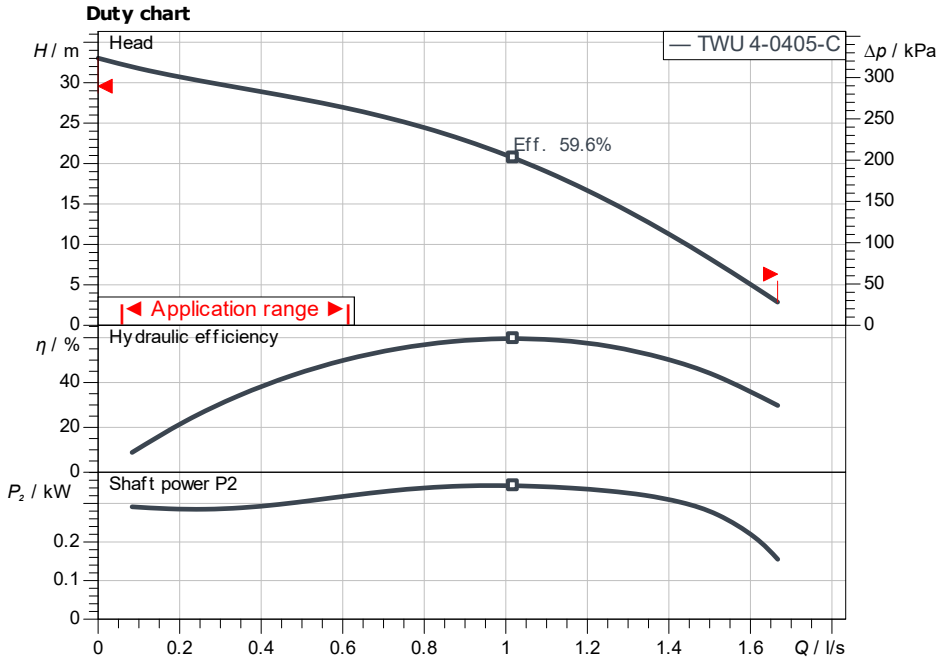
Technical data

Submersible pump Sub TWU 4.04-05-EM-C

Project ID: Untitled project 2025-03-17 08:16:17.345

Project name
Installation location
Customer pos. No.

Date: 2025-03-17



Requested data

Flow
Head
Media
Fluid temperature: 20.00 °C
Density: 998.30 kg/m³
Kin. viscosity: 1.00 mm²/s

Hydraulic data (Duty point)

Flow
Head
Shaft power P₂
Hydraulic efficiency
Power input P₁

Product data

Submersible pump
Sub TWU 4.04-05-EM-C
Max. operating pressure: 360 kPa
Fluid temperature: 3 °C ... +30 °C
Minimum efficiency index (MEI): ≥ 0.7
Max. pump diameter: 98 mm

Motor data per Motor/Pump

Mains connection: 1~230 V / 50 Hz
Type of motor: Submersible motor
Activation type: Direct On Line (DOL)
Min. flow at the motor: 0.08 m/s
Motor diameter: 98 mm
Permitted voltage tolerance: +-5 %
Nominal speed: 2,855 1/min
Rated power P₂: 0.37 kW
Rated current: 3.35 A
Power factor: 0.87
Degree of protection: IP68
Insulation class: B

Cable

Length of connecting cable: 1.75 m
Cable type: 4G1,5

Fitting dimensions

Discharge size: Rp 1 1/4
Flange standard: -

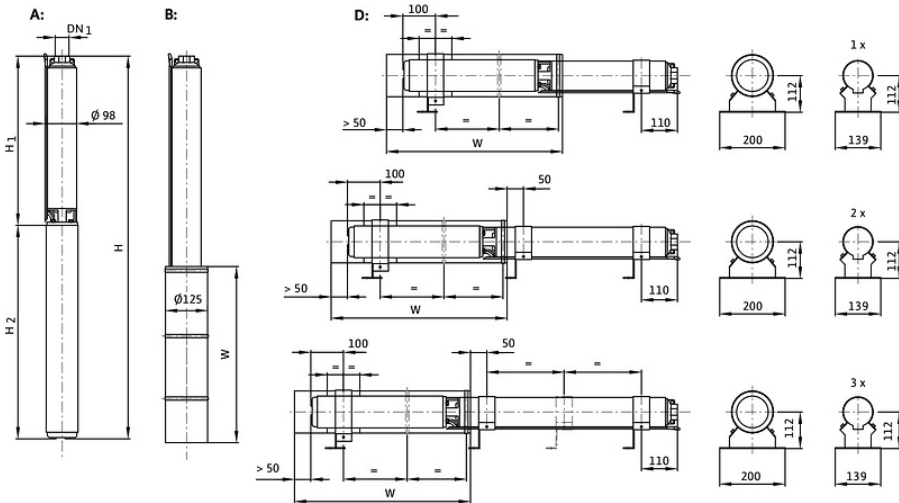
Materials

Pump housing: 1.4301
Motor housing: 1.4301
Shaft: 1.4104
Impeller: PPE

Information for order placements

Weight approx.: 9.5 kg
Item number: 6049337

Approval



Dimensions

Dimension	Value	Unit
H	507	mm
H ₁	257	mm
H ₂	250	mm
H ₂	250	mm
W	500	mm