

**Customer**

## Technical data

### Multi-pump system

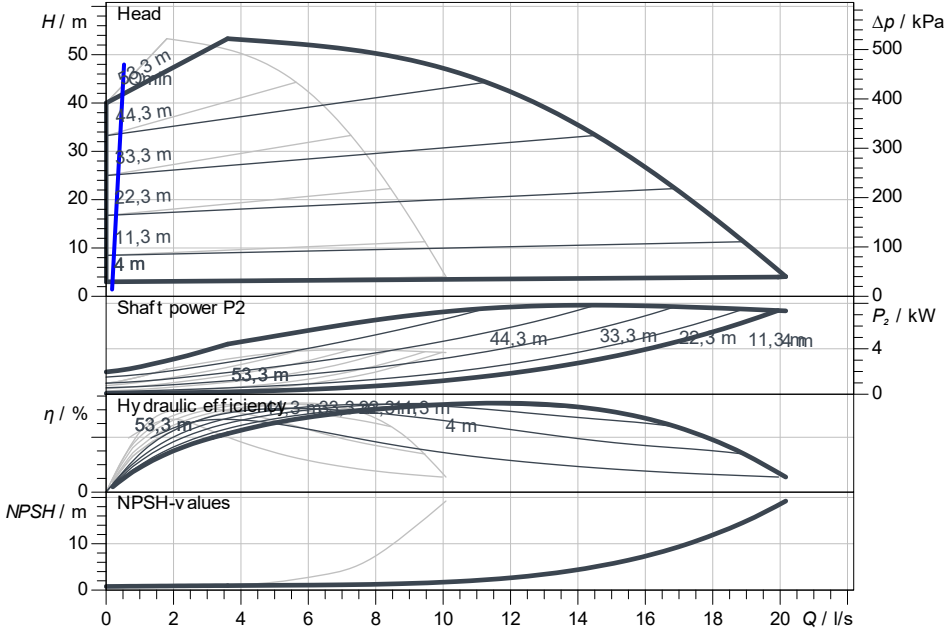
### SiBoost2.0 Smart 2 Helix VE 1603/4kW

Project ID: Untitled project 2025-03-04 05:18:48.548

Project name  
Installation location  
Customer pos. No.

Date: 2025-03-04

#### Duty chart



#### Requested data

Flow	
Head	
Media	Water 100 %
Fluid temperature	20.00 °C
Density	998.30 kg/m <sup>3</sup>
Kin. viscosity	1.00 mm <sup>2</sup> /s

#### Hydraulic data (Duty point)

Flow	
Head	
Shaft power P2	

#### Product data

Multi-pump system	
SiBoost2.0 Smart 2 Helix VE 1603/4kW	
Control	With frequency converter
No. of pumps	2
Max. operating pressure	1,600 kPa
Inlet pressure max.	10 bar
Fluid temperature	3 °C ... +50 °C
Max. ambient temperature	40 °C
Protection class motor	IP55
Protection class of switchgear	IP54
Diaphragm pressure vessel	Yes
Low-water cut-out switchgear	Yes

#### Motordata per Motor/Pump

Motor efficiency level	IE5
Mains connection	3~ 400 V / 50 Hz
Permitted voltage tolerance	400/50: +/- 10%, 380/6
Max. speed	
Rated power P2	4.00 kW
Rated current	6.90 A

Efficiency	0% / 75% / 100%
Insulation class	F
Motor protection	Yes

#### Fitting dimensions

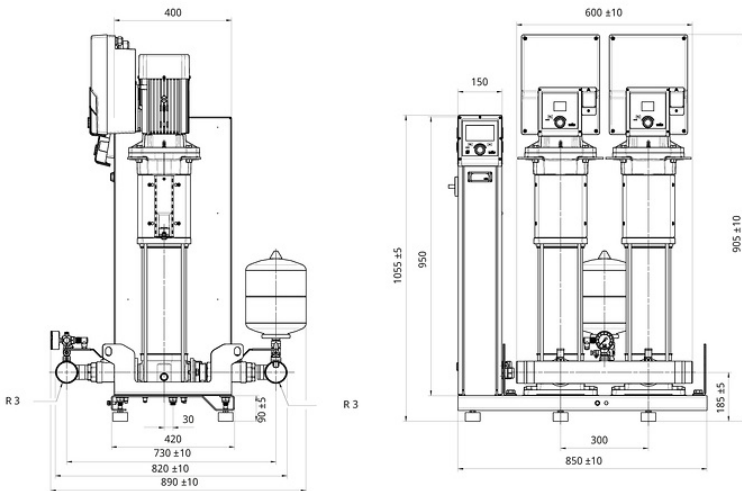
Pipe connection on the suction side	R 3, PN 10
Pipe connection (pressure side)	R 3, PN 16

#### Materials

Pump housing	1.4301
Impeller	1.4307
Shaft	1.4301
Shaft seal	BQ7EGG
Gasket material	EPDM
Pipework material	1.4307

#### Information for order placements

Weight approx.	161 kg
Item number	4258005



#### Dimensions mm

Contact  
E-mail  
Phone

**Customer**

Contact  
E-mail  
Phone

## Dimensions

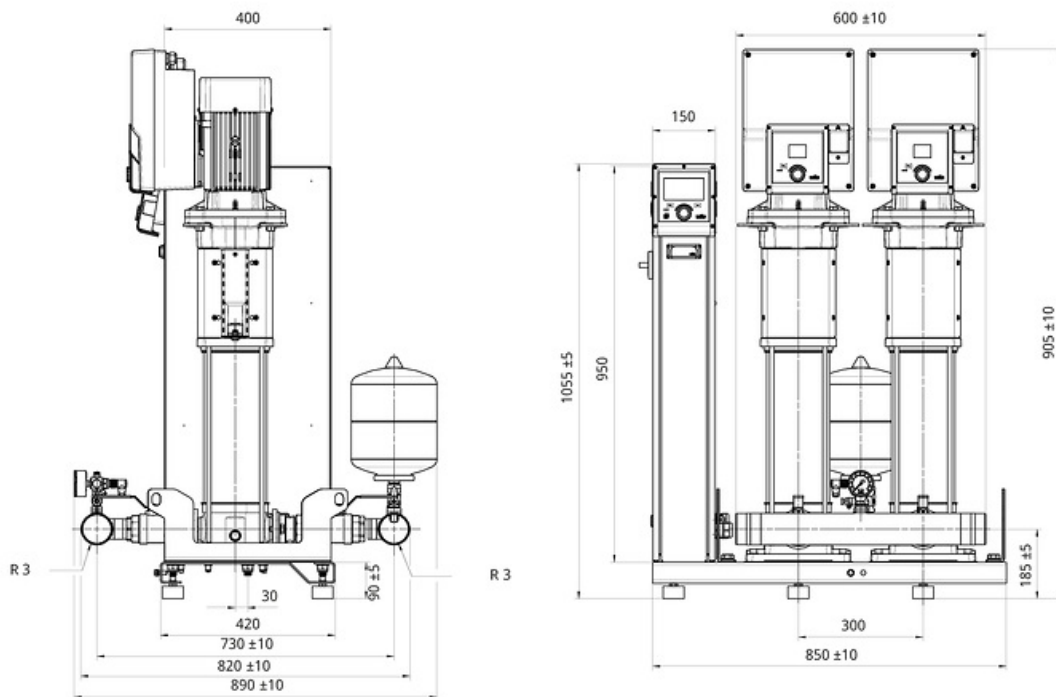
### Multi-pump system

SiBoost2.0 Smart 2 Helix VE 1603/4kW

Project ID                      Untitled project 2025-03-04 05:18:48.548

Project name  
Installation location  
Customer pos. No.

Date                      2025-03-04



**Standard**

Suction side                      R 3, PN 10/PN 16  
Discharge side                    R 3, PN 10/PN 16

**Dimensions**                    mm

Name	Value	Name	Value	Name	Value	Name	Value
------	-------	------	-------	------	-------	------	-------