

Contact
E-mail
Phone

Customer

Contact
E-mail
Phone

Technical data

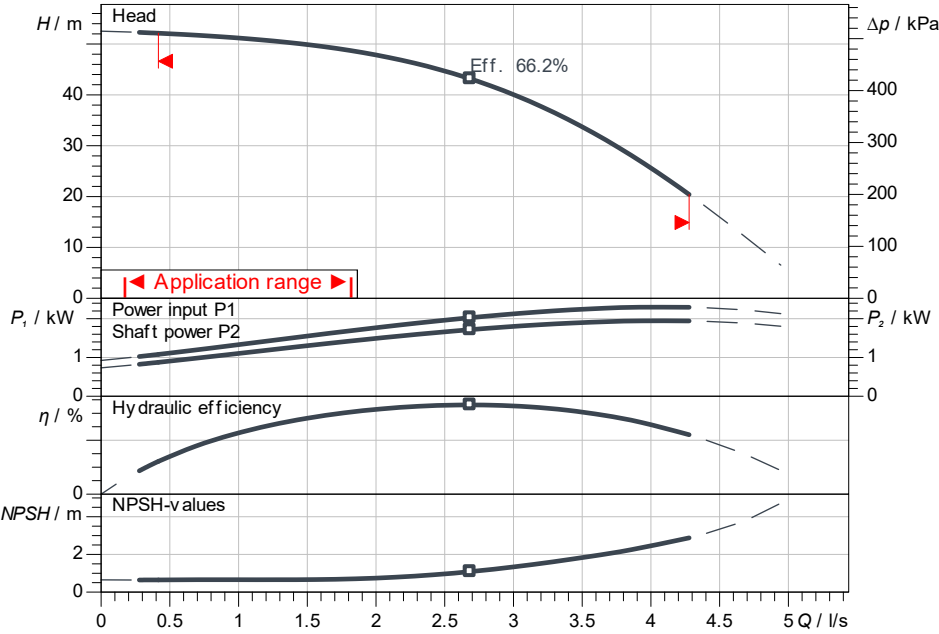
High-pressure multistage centrifugal pump Helix FIRST V 1005-5/16/E/S/400-50

Project ID: Untitled project 2025-03-03 15:12:38.853

Project name
Installation location
Customer pos. No.

Date: 2025-03-03

Duty chart



Requested data

Flow
Head
Media: Water 100 %
Fluid temperature: 20.00 °C
Density: 998.30 kg/m³
Kin. viscosity: 1.00 mm²/s

Hydraulic data (Duty point)

Flow
Head
Shaft power P2
Hydraulic efficiency
NPSH

Product data

High-pressure multistage centrifugal pump
Helix FIRST V 1005-5/16/E/S/400-50
Max. operating pressure: 1,600 kPa
Inlet pressure max.: 10 bar
Fluid temperature: -20 °C ... +120 °C
Max. ambient temperature: 50 °C
Minimum efficiency index (MEI): ≥ 0.7

Motordata per Motor/Pump

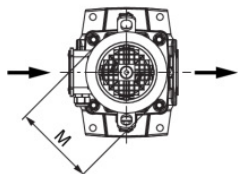
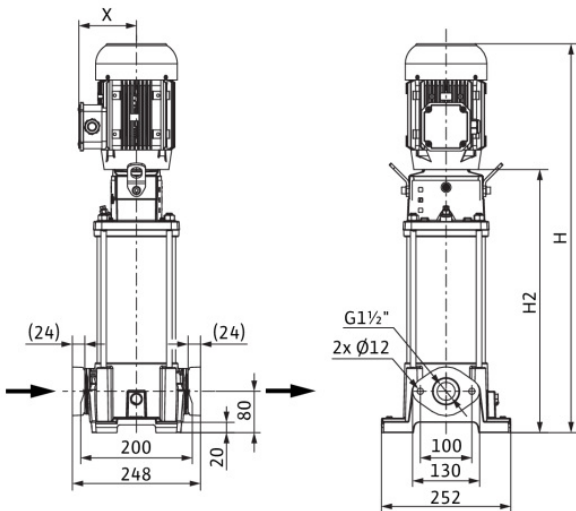
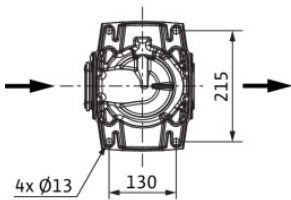
Motor efficiency level: IE3
Mains connection: 3~ 400 V / 50 Hz
Permitted voltage tolerance: +10 %
Max. speed: 2,900 1/min
Rated power P2: 2.20 kW
Rated current: 4.30 A
Power factor: 0.87
Service factor: 1.15
Efficiency: 50% / 75% / 100% → 84.8/86.2/85.9%
Degree of protection: IP55
Insulation class: F
Motor protection: PTO

ISO 9906: 2012 3B

Dimensions

H 779
H2 485
ØM 172
X 132
X 132

mm



Fitting dimensions

Pipe connection on the suction side: G 1 1/2, PN 16
Pipe connection (pressure side): G 1 1/2, PN 16

Materials

Pump housing: 5.1301/EN-GJL-250
Impeller: 1.4307
Shaft: 1.4301
Shaft seal: BQ7EGG
Gasket material: EPDM

Information for order placements

Weight approx.: 44.6 kg
Item number: 4200945