

Customer

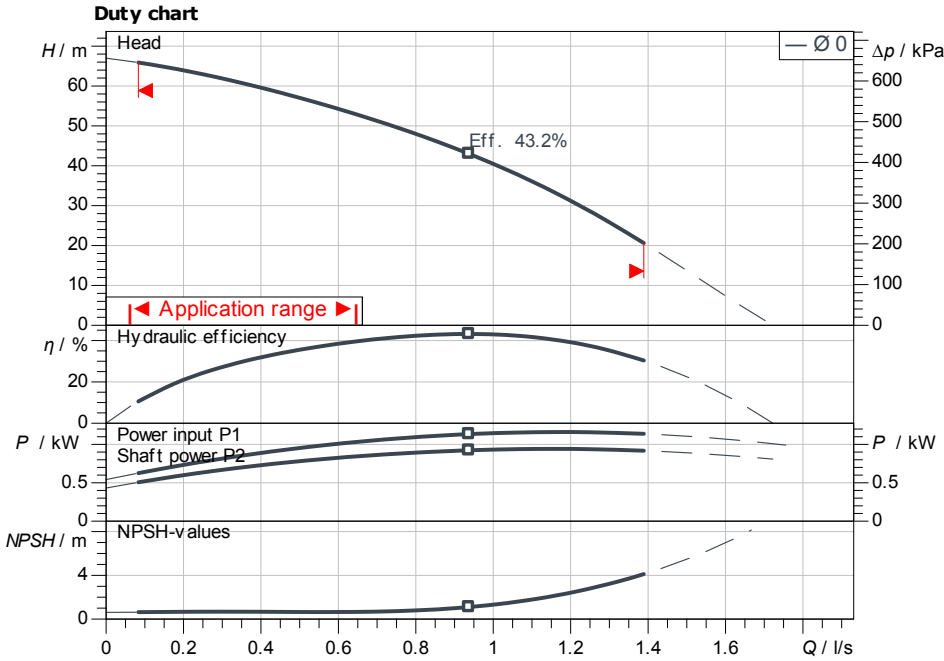
Technical data

Non self-priming multistage centrifugal pump MHIL 306-E-3-400-50-2/IE3

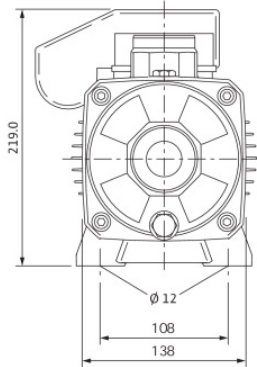
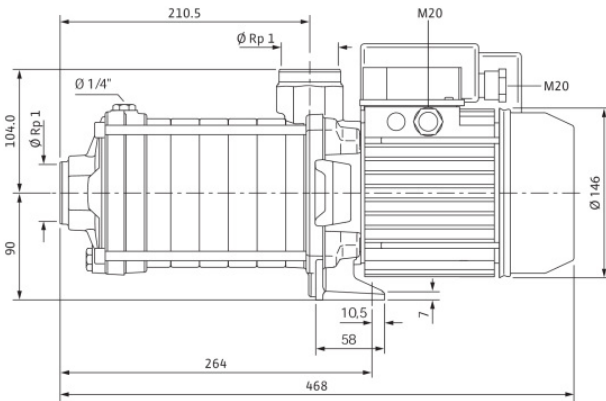
Project ID: Untitled project 2025-03-03 10:52:49.529

Project name
Installation location
Customer pos. No.

Date: 2025-03-03



ISO 9906: 2012 3B



Requested data

Flow	
Head	
Media	Water 100 %
Fluid temperature	20.00 °C
Density	998.30 kg/m ³
Kin. viscosity	1.00 mm ² /s

Hydraulic data (Duty point)

Flow	
Head	
Shaft power $P2$	
Hydraulic efficiency	
NPSH	

Product data

Non self-priming multistage centrifugal pump MHIL 306-E-3-400-50-2/IE3	
Max. operating pressure	1,000 kPa
Inlet pressure max.	6 bar
Fluid temperature	-15 °C ... +90 °C
Max. ambient temperature	40 °C

Motordata per Motor/Pump

Motor efficiency level	IE3
Mains connection	3~ 400 V / 50 Hz
Permitted voltage tolerance	+ -10 %
Max. speed	2,900 1/min
Rated power $P2$	1.10 kW
Rated current	2.80 A
Power factor	0.83
Efficiency	50% / 75% / 100%
	81.5/82.7/82.7%
Degree of protection	IP54
Insulation class	F
Motor protection	

Fitting dimensions

Pipe connection on the suction side	Rp 1, PN 10
Pipe connection (pressure side)	Rp 1, PN 10

Materials

Pump housing	5.1301/EN-GJL-250
Impeller	1.4301
Shaft	1.4301
Shaft seal	Q1BE3GG
Gasket material	EPDM

Information for order placements

Weight approx.	18 kg
Item number	4210653

Dimensions mm