

Customer

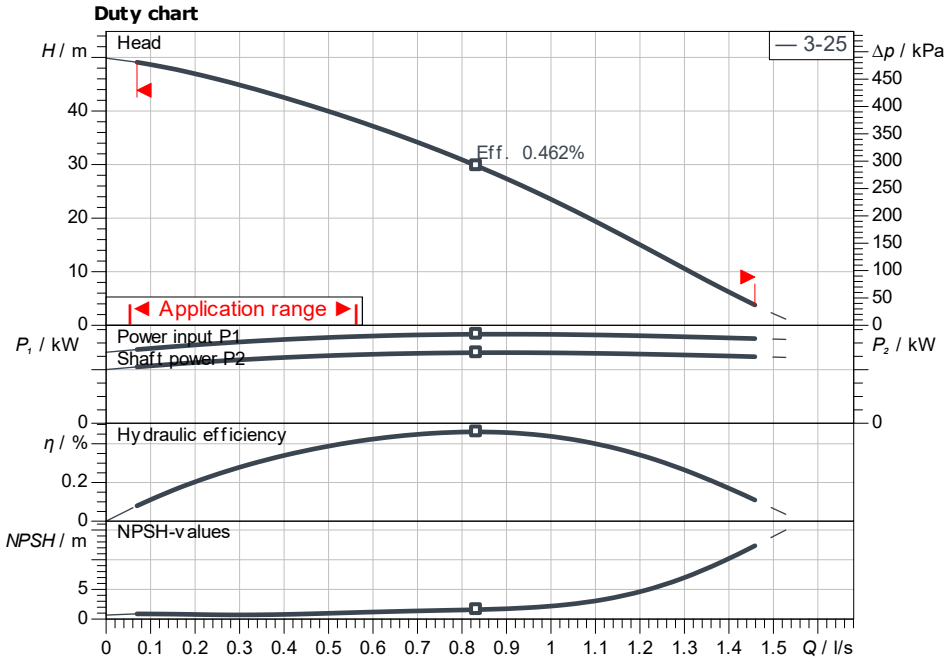
Technical data

High-pressure multistage centrifugal pump HiMulti 3-25 P/1/5/230/S1

Project ID Untitled project 2025-03-03 15:12:38.853

Project name
Installation location
Customer pos. No.

Date 2025-03-03



Requested data

Flow	
Head	
Media	Water 100 %
Fluid temperature	20.00 °C
Density	998.30 kg/m ³
Kin. viscosity	1.00 mm ² /s

Hydraulic data (Duty point)

Flow
Head

Product data

High-pressure multistage centrifugal pump HiMulti 3-25 P/1/5/230/S1	
Max. operating pressure	800 kPa
Inlet pressure max.	300 kPa
Fluid temperature	5 °C ... +35 °C
Max. ambient temperature	50 °C

Motordata per Motor/Pump

Mains connection	1 ~ 230 V / 50 Hz
Permitted voltage tolerance	+10/-15 %
Max. speed	2,900 1/min
Rated power P2	0.50 kW
Rated current	3.20 A
0	
Degree of protection	X4
Insulation class	F
Motor protection	PTO

Fitting dimensions

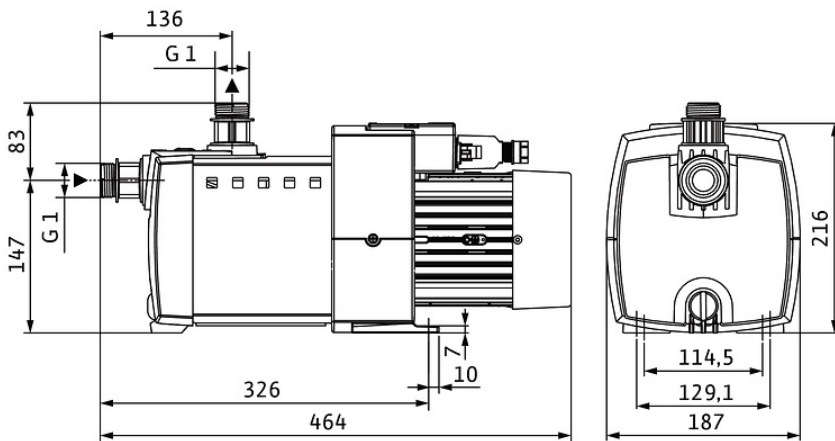
Pipe connection on the suction side	G 1, PN 8
Pipe connection (pressure side)	G 1, PN 8

Materials

Pump housing	PA6T/6I-GF40
Impeller	PPE/PS-GF30
Shaft	1.4021
Shaft seal	BVE3GG
Gasket material	EPDM
Stage chamber material	PPE/PS-GF30

Information for order placements

Weight approx.	9.3 kg
Item number	4244159



Dimensions mm