

**Customer**

# Technical data

## Multi-pump system

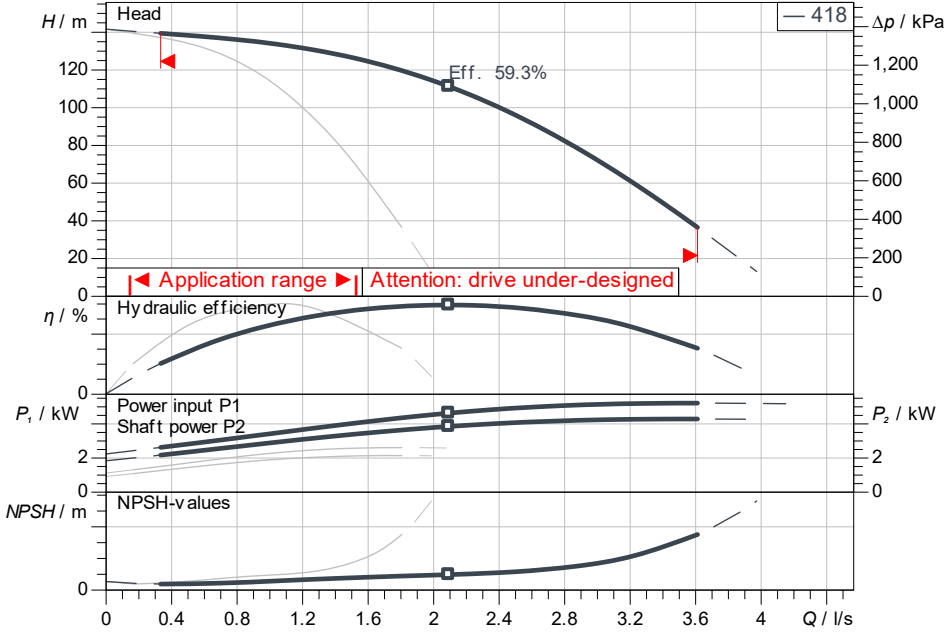
### SiBoost Smart FC 2 Helix V 418

Project ID: Untitled project 2025-03-04 01:04:54.425

Project name  
Installation location  
Customer pos. No.

Date: 2025-03-04

#### Duty chart



#### Requested data

Flow	
Head	
Media	Water 100 %
Fluid temperature	20.00 °C
Density	998.30 kg/m <sup>3</sup>
Kin. viscosity	1.00 mm <sup>2</sup> /s

#### Hydraulic data (Duty point)

Flow	
Head	
Shaft power P2	

#### Product data

Multi-pump system  
SiBoost Smart FC 2 Helix V 418

No. of pumps	2
Max. operating pressure	1,600 kPa
Inlet pressure max.	1,000
Fluid temperature	3 °C ... +50 °C
Max. ambient temperature	40 °C
Protection class system	IP55
Protection class of switchgear	IP54
Diaphragm pressure vessel	Yes
Low-water cut-out switchgear	No

#### Motordata per Motor/Pump

Motor efficiency level	IE3
Mains connection	3~ 400 V / 50 Hz
Permitted voltage tolerance	+/-10 %
Rated speed	2,900 1/min
Rated power P2	2.20 kW
Rated current	4.30 A
Power factor	0.87
Efficiency	
50% / 75% / 100%	84.8/86.2/85.9%
Degree of protection	IP55
Insulation class	F
Motor protection	Yes

#### Fitting dimensions

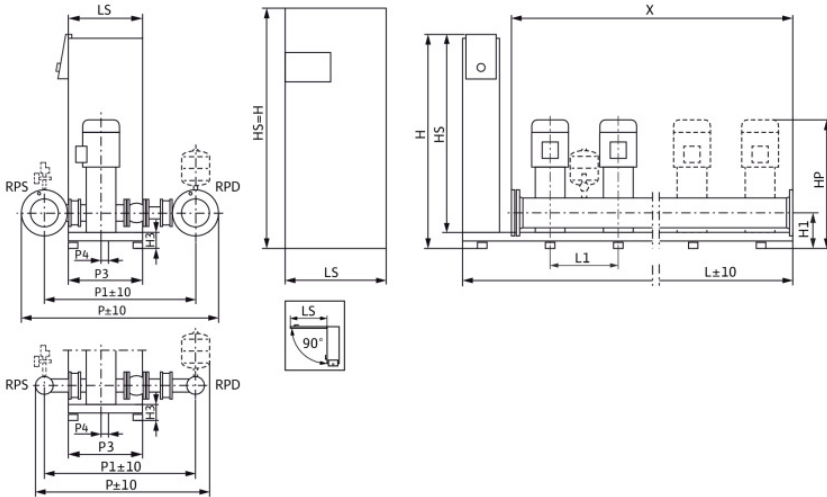
Pipe connection on the suction side	R 1 1/2, PN 10
Pipe connection (pressure side)	R 1 1/2, PN 16

#### Materials

Pump housing	1.4301
Impeller	1.4307
Shaft	1.4301
Shaft seal	Q1BE3GG
Gasket material	EPDM
Pipework material	1.4307

#### Information for order placements

Weight approx.	196 kg
Item number	2537589



#### Dimensions

mm

DNd	R 1 1/2, PN H3	90	LS	250	X	600
DNs	R 1 1/2, PN HP	1,100	P	694		
H	1,405	HS	1,300	P1	561	
H1	140	L	950	P3	420	
H2	244.2	L1	300	P4	30	

Contact  
E-mail  
Phone

**Customer**

Contact  
E-mail  
Phone

## Dimensions

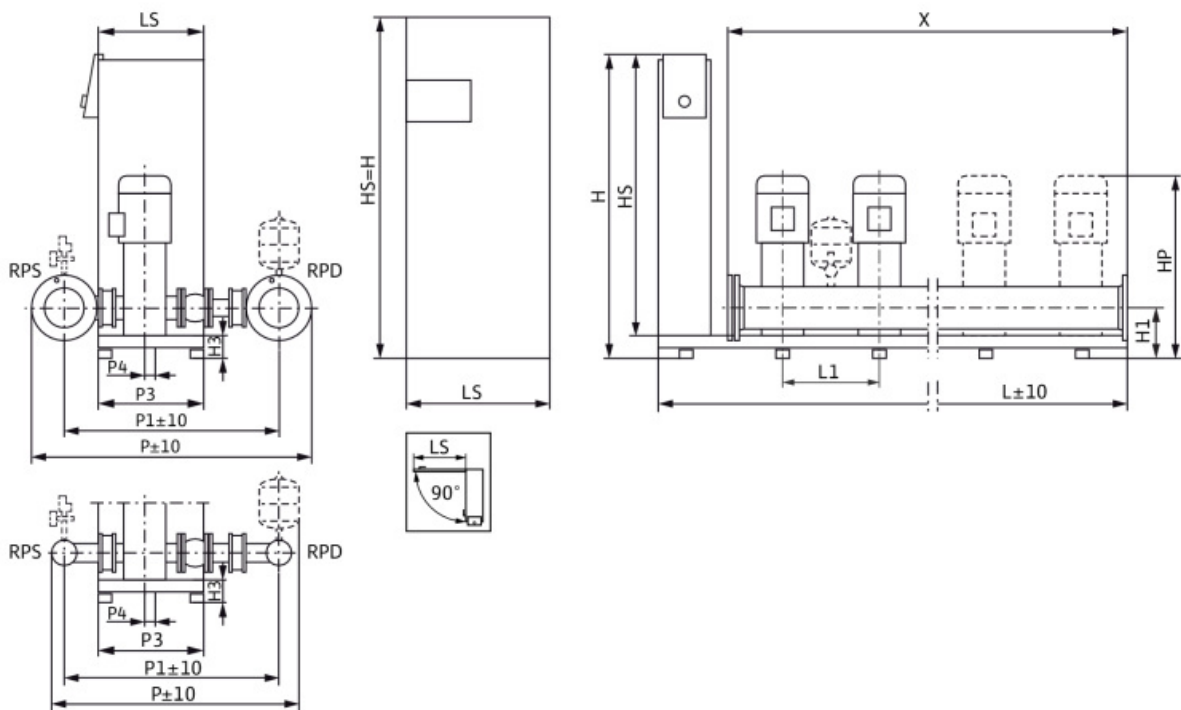
### Multi-pump system

SiBoost Smart FC 2 Helix V 418

Project ID                      Untitled project 2025-03-04 01:04:54.425

Project name  
Installation location  
Customer pos. No.

Date                      2025-03-04



**Standard**

Suction side                      R 1½, PN 10/PN 16  
Discharge side                    R 1½, PN 10/PN 16

**Dimensions**                    mm

Name	Value	Name	Value	Name	Value	Name	Value
DNd	R 1½, PN 16	HS	1,300	P4	30		
DNs	R 1½, PN 10	L	950	X	600		
H	1,405	L1	300				
H1	140	LS	250				
H2	244.2	P	694				
H3	90	P1	561				
HP	1,100	P3	420				