

**Customer**

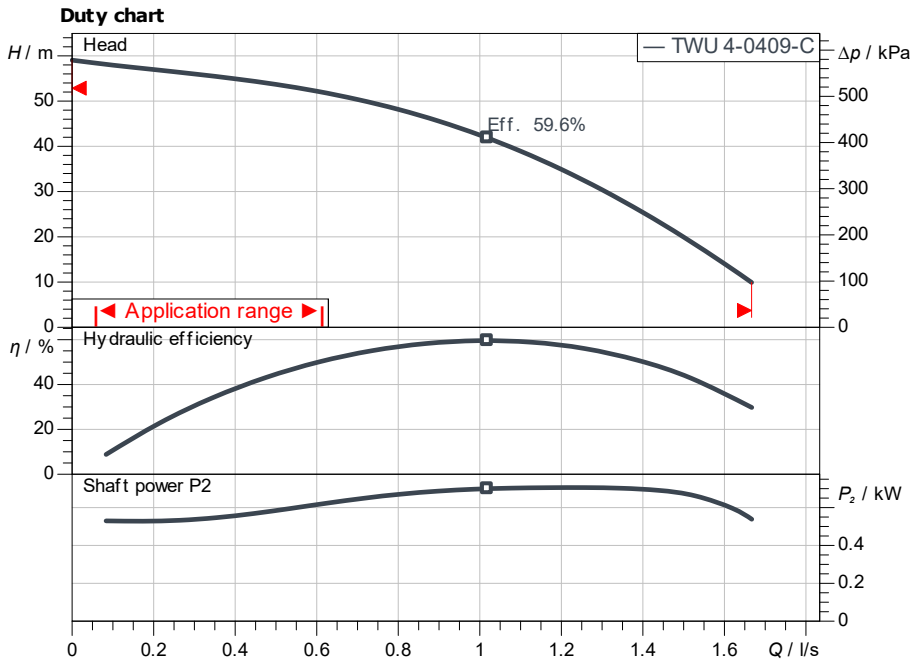
## Technical data

### Submersible pump Sub TWU 4.04-09-EM-QC-C

Project ID: Untitled project 2025-03-17 08:16:17.345

Project name  
Installation location  
Customer pos. No.

Date: 2025-03-17



#### Requested data

Flow  
Head  
Media: Water 100 %  
Fluid temperature: 20.00 °C  
Density: 998.30 kg/m<sup>3</sup>  
Kin. viscosity: 1.00 mm<sup>2</sup>/s

#### Hydraulic data (Duty point)

Flow  
Head  
Shaft power  $P_2$   
Hydraulic efficiency  
Power input  $P_1$

#### Product data

Submersible pump  
Sub TWU 4.04-09-EM-QC-C  
Max. operating pressure: 650 kPa  
Fluid temperature: 3 °C ... +30 °C  
Minimum efficiency index (MEI):  $\geq 0.7$   
Max. pump diameter: 98 mm

#### Motor data per Motor/Pump

Mains connection: 1~230 V / 50 Hz  
Type of motor: Submersible motor  
Activation type: Direct On Line (DOL)  
Min. flow at the motor: 0.08 m/s  
Motor diameter: 98 mm  
Permitted voltage tolerance: +5 %  
Nominal speed: 2,869 1/min  
Rated power  $P_2$ : 0.75 kW  
Rated current: 5.90 A  
Power factor: 0.92  
Degree of protection: IP68  
Insulation class: B

#### Cable

Length of connecting cable: 1.75 m  
Cable type: 4G1,5

#### Fitting dimensions

Discharge size: Rp 1 1/4  
Flange standard: -

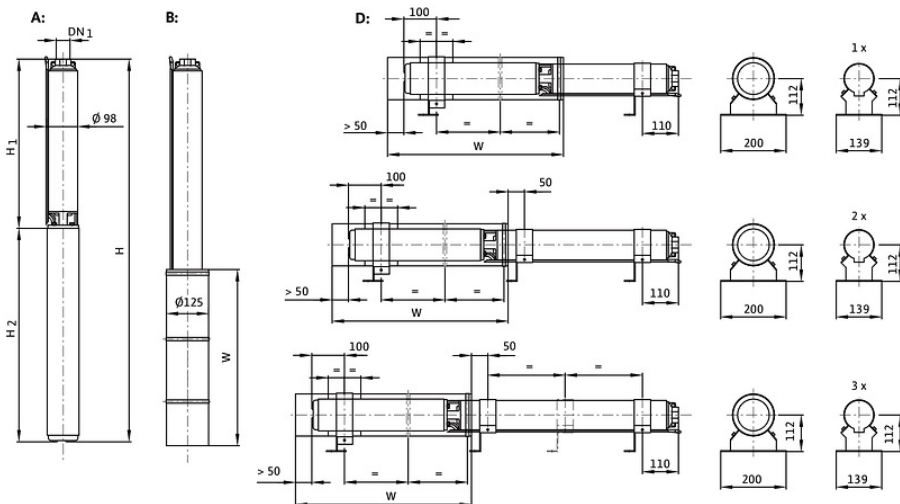
#### Materials

Pump housing: 1.4301  
Motor housing: 1.4301  
Shaft: 1.4104  
Impeller: PPE

#### Information for order placements

Weight approx.: 13.9 kg  
Item number: 6049368

#### Approval



#### Dimensions

Dimension	Value	Unit
H	639	mm
H1	344	mm
H2	295	mm
H2	295	mm
W	500	mm