

Customer

Technical data

Single-pump system

ISAR MODH1- 1003/EC-EM-T90

Project ID

Untitled project 2025-03-03 22:14:23.954

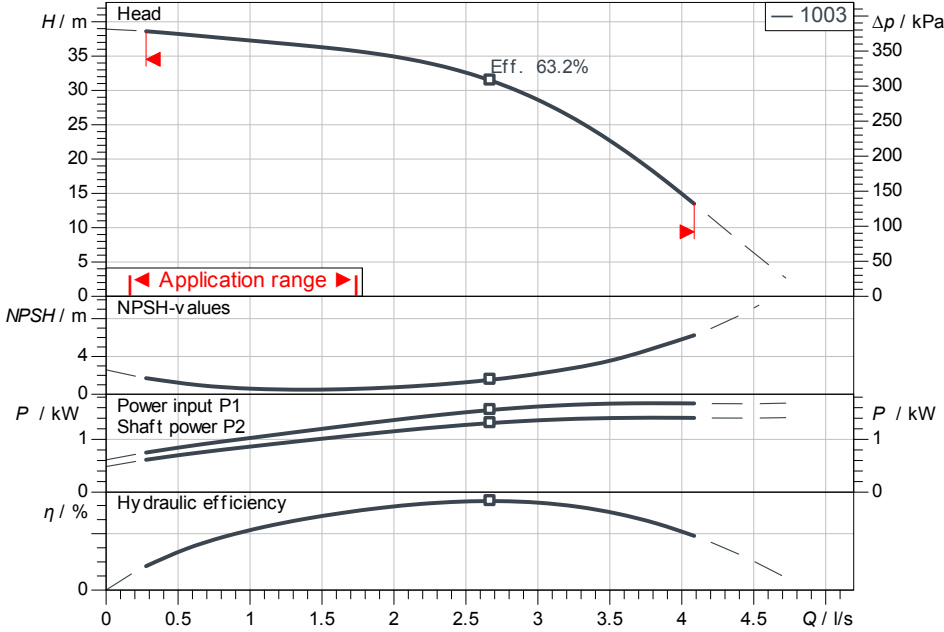
Project name

Installation location

Customer pos. No.

Date 2025-03-03

Duty chart



Requested data

Flow	
Head	
Media	Water 100 %
Fluid temperature	20.00 °C
Density	998.30 kg/m ³
Kin. viscosity	1.00 mm ² /s

Hydraulic data (Duty point)

Flow	
Head	
Shaft power P2	

Product data

Single-pump system	
ISAR MODH1-1003/EC-EM-T90	
Control	With frequency converter
No. of pumps	1
Max. operating pressure	1,000 kPa
Inlet pressure max.	6 bar
Fluid temperature	3 °C ... +60 °C
Max. ambient temperature	40 °C
Diaphragm pressure vessel	Yes
Low-water cut-out switchgear	Yes

Control

Mains connection	1~ 230 V
	50 Hz
Protection class of switchgear	IP55

Motordata per Motor/Pump

Motor efficiency level	IE3
Rated power P2	1.50 kW
Rated current	3.30 A
Efficiency	
50% / 75% / 100%	83.3/84.5/84.2%
Protection class motor	IP55
Insulation class	F
Motor protection	Yes

Fitting dimensions

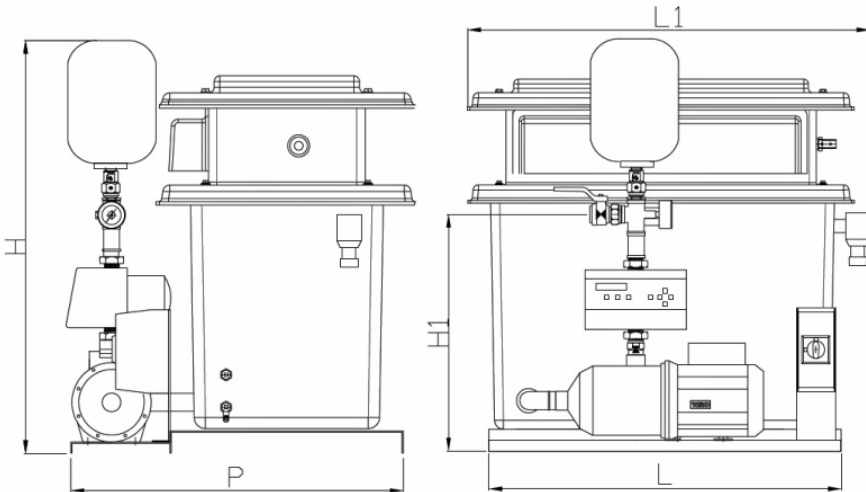
Pipe connection on the suction side	Rp ½, PN 6
Pipe connection (pressure side)	Rp 1, PN 10
Overflow connection	Ø 50
Gross volume	90 l

Materials

Pump housing	1.4301
Impeller	1.4301
Shaft	1.4301
Shaft seal	BQ1E3GG
Gasket material	EPDM
Pipework material	Brass, CW617N

Information for order placements

Weight approx.	81.5 kg
Item number	29993796



Dimensions

mm

DNd	Rp 1, PN	L	800
DNs	Rp ½, PN	LS	262
H	990	P	760
H1	565		
HS	196		

Contact
E-mail
Phone

Customer

Contact
E-mail
Phone

Dimensions

Single-pump system

ISAR MODH1-1003/EC-EM-T90

Project ID

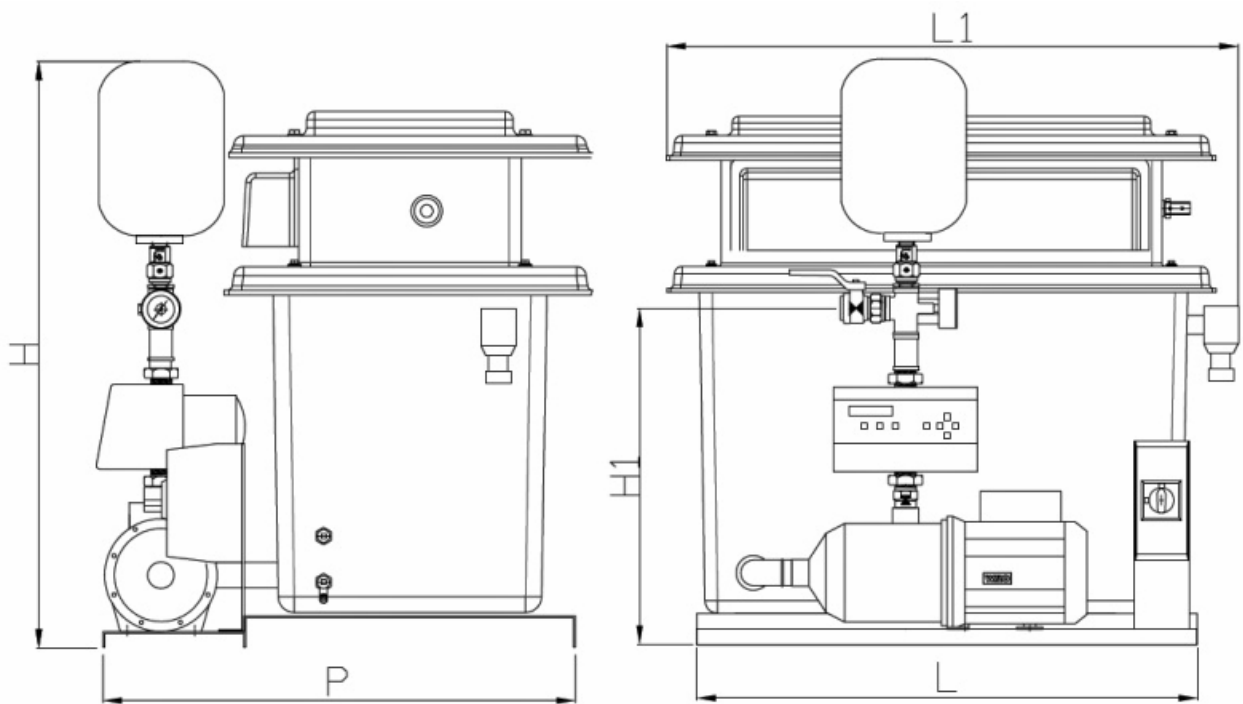
Untitled project 2025-03-03 22:14:23.954

Project name

Installation location

Customer pos. No.

Date 2025-03-03



Standard

Suction side Rp 1/2, PN 6/PN 10

Discharge side Rp 1, PN 6/PN 10

Dimensions mm

Name	Value	Name	Value	Name	Value	Name	Value
DNd	Rp 1, PN 10	P	760				
DNs	Rp 1/2, PN 6						
H	990						
H1	565						
HS	196						
L	800						
LS	262						