

Customer

Technical data

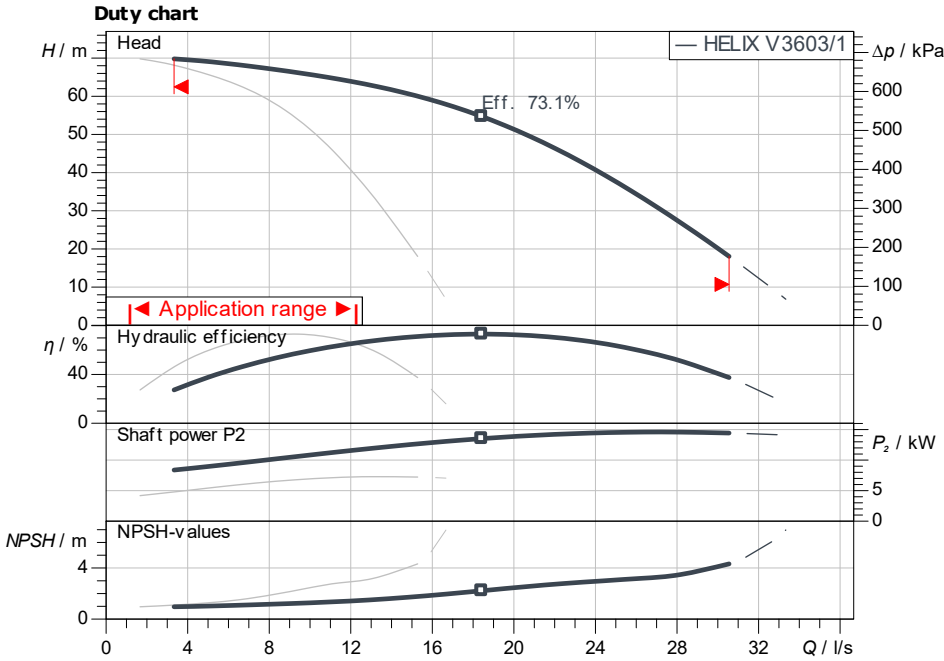
Multi-pump system

SiBoost Smart 2 Helix V 3603/1

Project ID: Untitled project 2025-03-04 01:04:54.425

Project name
Installation location
Customer pos. No.

Date: 2025-03-04



Requested data

Flow	
Head	
Media	Water 100 %
Fluid temperature	20.00 °C
Density	998.30 kg/m ³
Kin. viscosity	1.00 mm ² /s

Hydraulic data (Duty point)

Flow	
Head	
Shaft power P_2	

Product data

Multi-pump system
SiBoost Smart 2 Helix V 3603/1

No. of pumps	2
Max. operating pressure	1,600 kPa
Inlet pressure max.	1,000
Fluid temperature	3 °C ... +50 °C
Max. ambient temperature	40 °C
Protection class system	IP55
Protection class of switchgear	IP54
Diaphragm pressure vessel	Yes
Low-water cut-out switchgear	No

Motordata per Motor/Pump

Motor efficiency level	IE3
Mains connection	3~ 400 V / 50 Hz
Permitted voltage tolerance	+/-10 %
Rated speed	2,900 1/min
Rated power P_2	7.50 kW
Rated current	13.70 A
Power factor	0.88
Efficiency	
50% / 75% / 100%	89.8/90.5/90.1%
Degree of protection	IP55
Insulation class	F
Motor protection	Yes

Fitting dimensions

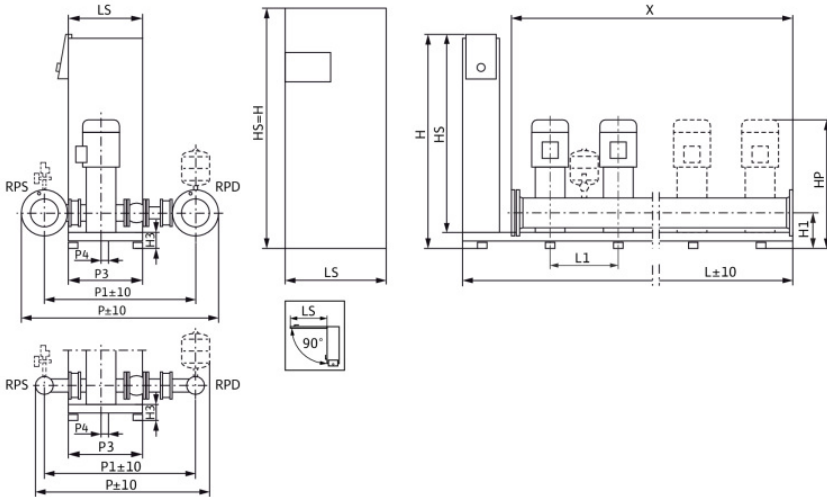
Pipe connection on the suction side	DN 100, PN 10
Pipe connection (pressure side)	DN 100, PN 16

Materials

Pump housing	5.1301/EN-GJL-250
Impeller	1.4307
Shaft	1.4057
Shaft seal	Q1BE3GG
Gasket material	EPDM
Pipework material	1.4307

Information for order placements

Weight approx.	363 kg
Item number	2540761



Dimensions

mm

DNd	DN 100,	H3	105	LS	250	X	800
DNs	DN 100,	HP	1,073	P	1,251		
H	1,405	HS	1,300	P1	1,031		
H1	210	L	950	P3	420		
H2	347.2	L1	300	P4	30		

Contact
E-mail
Phone

Customer

Contact
E-mail
Phone

Dimensions

Multi-pump system

SiBoost Smart 2 Helix V 3603/1

Project ID Untitled project 2025-03-04 01:04:54.425

Project name
Installation location
Customer pos. No.

Date 2025-03-04



Standard

Suction side DN 100, PN 10/PN 16
Discharge side DN 100, PN 10/PN 16

Dimensions mm

Name	Value	Name	Value	Name	Value	Name	Value
DNd	DN 100, PN 16	HS	1,300	P4	30		
DNs	DN 100, PN 10	L	950	X	800		
H	1,405	L1	300				
H1	210	LS	250				
H2	347.2	P	1,251				
H3	105	P1	1,031				
HP	1,073	P3	420				