

**Customer**

# Technical data

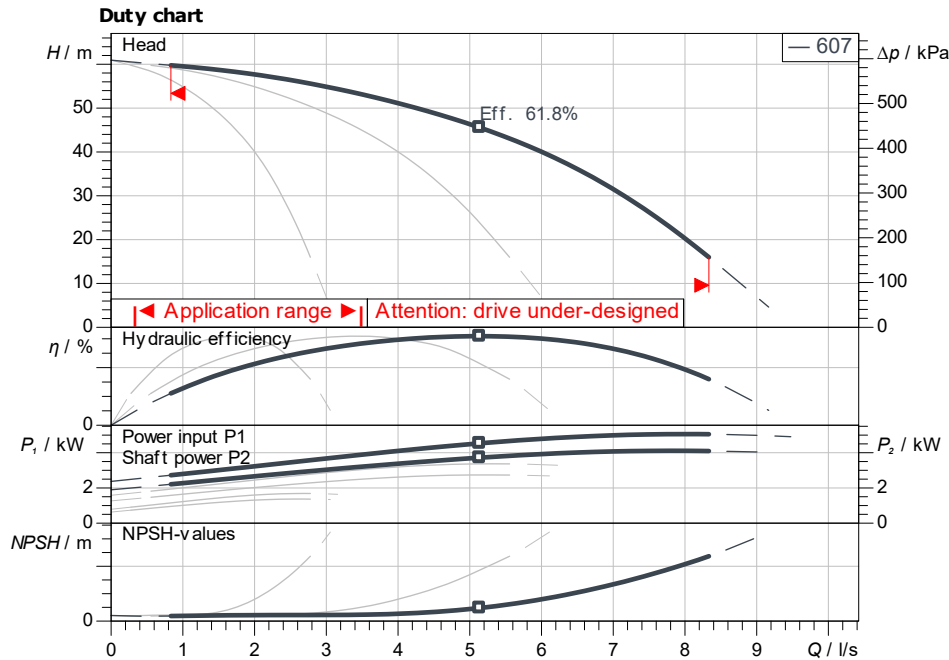
## Multi-pump system

### SiBoost Smart FC 3 Helix V 607

Project ID: Untitled project 2025-03-04 01:04:54.425

Project name  
Installation location  
Customer pos. No.

Date: 2025-03-04



**Requested data**

Flow	
Head	
Media	Water 100 %
Fluid temperature	20.00 °C
Density	998.30 kg/m <sup>3</sup>
Kin. viscosity	1.00 mm <sup>2</sup> /s

**Hydraulic data (Duty point)**

Flow	
Head	
Shaft power P2	

**Product data**

Multi-pump system  
SiBoost Smart FC 3 Helix V 607

No. of pumps	3
Max. operating pressure	1,600 kPa
Inlet pressure max.	600
Fluid temperature	3 °C ... +50 °C
Max. ambient temperature	40 °C
Protection class system	IP55
Protection class of switchgear	IP54
Diaphragm pressure vessel	Yes
Low-water cut-out switchgear	No

**Motordata per Motor/Pump**

Motor efficiency level	IE3
Mains connection	3~ 400 V / 50 Hz
Permitted voltage tolerance	+/-10 %
Rated speed	2,900 1/min
Rated power P2	1.50 kW
Rated current	3.00 A
Power factor	0.85
Efficiency	
50% / 75% / 100%	80.9/83.8/84.2%
Degree of protection	IP55
Insulation class	F
Motor protection	Yes

**Fitting dimensions**

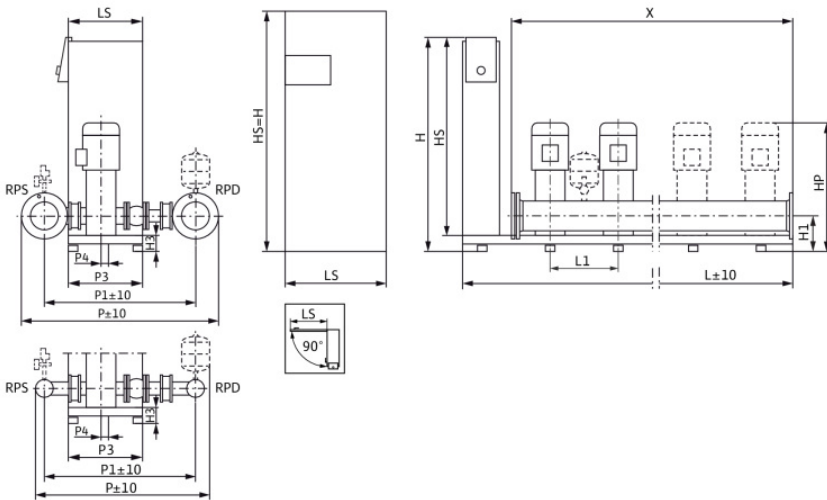
Pipe connection on the suction side R 2½, PN 10  
Pipe connection (pressure side) R 2½, PN 16

**Materials**

Pump housing	1.4301
Impeller	1.4307
Shaft	1.4301
Shaft seal	Q1BE3GG
Gasket material	EPDM
Pipework material	1.4307

**Information for order placements**

Weight approx.	238 kg
Item number	2536051



**Dimensions**

mm

DNd	R 2½, PN H3	90	LS	250	X	900
DNs	R 2½, PN HP	950	P	722		
H	1,405	HS	1,300	P1	589	
H1	140	L	1,250	P3	420	
H2	258	L1	300	P4	30	

Contact  
E-mail  
Phone

**Customer**

Contact  
E-mail  
Phone

## Dimensions

### Multi-pump system

SiBoost Smart FC 3 Helix V 607

Project ID                      Untitled project 2025-03-04 01:04:54.425

Project name  
Installation location  
Customer pos. No.

Date                      2025-03-04



**Standard**

Suction side                      R 2 ½, PN 10/PN 16  
Discharge side                      R 2 ½, PN 10/PN 16

**Dimensions**                      mm

Name	Value	Name	Value	Name	Value	Name	Value
DNd	R 2 ½, PN 16	HS	1,300	P4	30		
DNs	R 2 ½, PN 10	L	1,250	X	900		
H	1,405	L1	300				
H1	140	LS	250				
H2	258	P	722				
H3	90	P1	589				
HP	950	P3	420				