

**Customer**

## Technical data

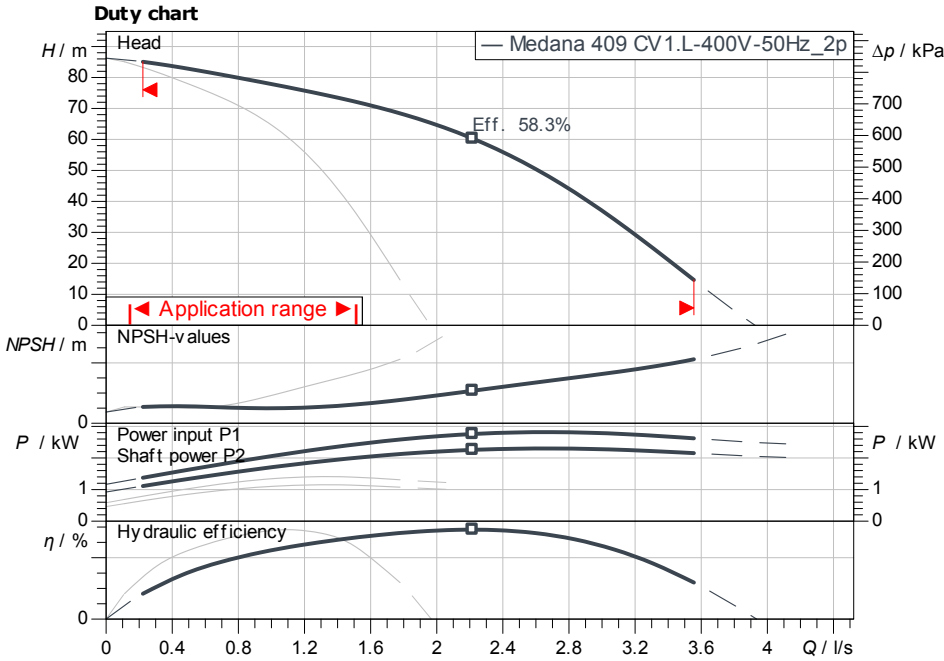
### Multi-pump system

### Isar MODV1-2CV1-L-409/EC

Project ID                      Untitled project 2025-03-03 22:14:23.954

Project name  
Installation location  
Customer pos. No.

Date                      2025-03-03



**Requested data**

Flow	
Head	
Media	Water 100 %
Fluid temperature	20.00 °C
Density	998.30 kg/m <sup>3</sup>
Kin. viscosity	1.00 mm <sup>2</sup> /s

**Hydraulic data (Duty point)**

Flow	
Head	
Shaft power P2	

**Product data**

Multi-pump system	
Isar MODV1-2CV1-L-409/EC	
Control	Without frequency conversion
No. of pumps	2
Max. operating pressure	1,600 kPa
Inlet pressure max.	6 bar
Fluid temperature	3 °C ... +60 °C
Max. ambient temperature	40 °C
Protection class motor	IP55
Protection class of switchgear	IP54
Diaphragm pressure vessel	Yes
Low-water cut-out switchgear	No

**Motordata per Motor/Pump**

Motor efficiency level	IE3
Mains connection	3~ 400 V / 50 Hz
Permitted voltage tolerance	+ -10 %
Max. speed	2,900 1/min
Rated power P2	1.10 kW
Rated current	2.70 A

Efficiency	
50% / 75% / 100%	80.7/82.8/82.7%
Insulation class	F
Motor protection	Yes

**Fitting dimensions**

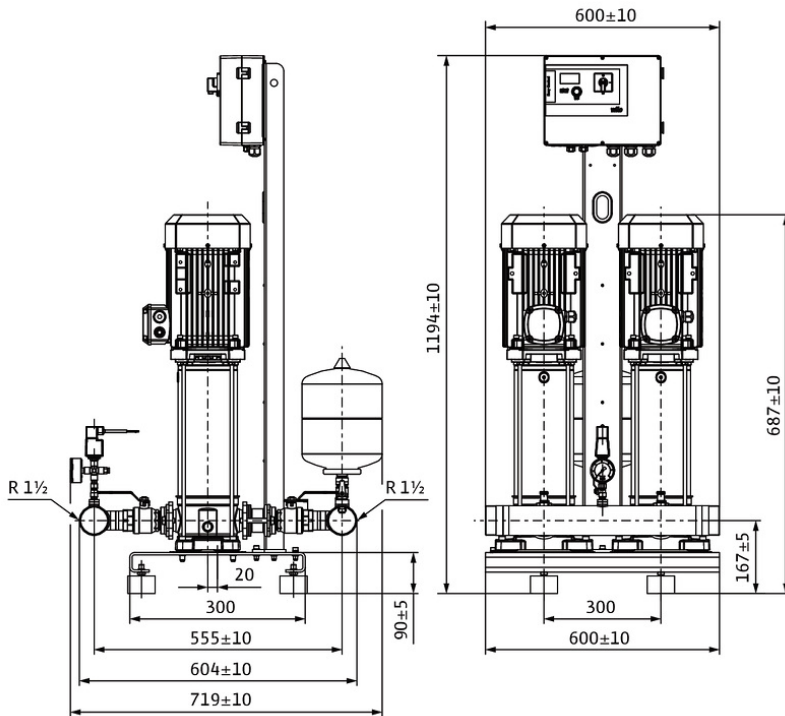
Pipe connection on the suction side	R 1½, PN 10
Pipe connection (pressure side)	R 1½, PN 16

**Materials**

Pump housing	1.4301
Impeller	1.4301
Shaft	1.4301
Shaft seal	BQ1E3GG
Gasket material	EPDM
Pipework material	1.4307

**Information for order placements**

Weight approx.	80 kg
Item number	2554121



**Dimensions**                      mm

Contact  
E-mail  
Phone

**Customer**

Contact  
E-mail  
Phone

## Dimensions

### Multi-pump system

Isar MODV1-2CV1-L-409/EC

Project ID

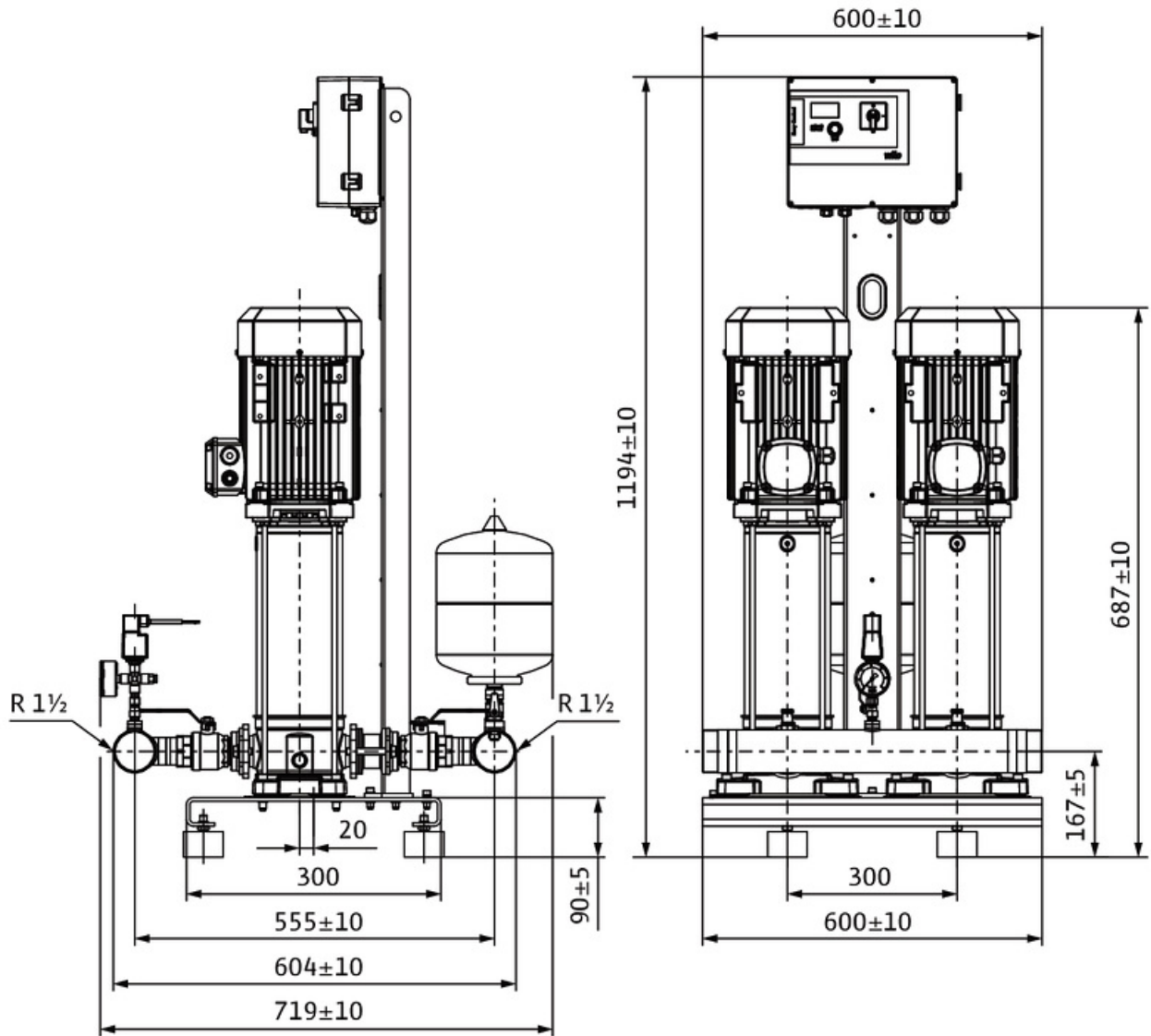
Untitled project 2025-03-03 22:14:23.954

Project name

Installation location

Customer pos. No.

Date 2025-03-03



Standard

Suction side R 1½, PN 10/PN 16

Discharge side R 1½, PN 10/PN 16

**Dimensions** mm

Name	Value	Name	Value	Name	Value	Name	Value
------	-------	------	-------	------	-------	------	-------