

Contact  
E-mail  
Phone

**Customer**

Contact  
E-mail  
Phone

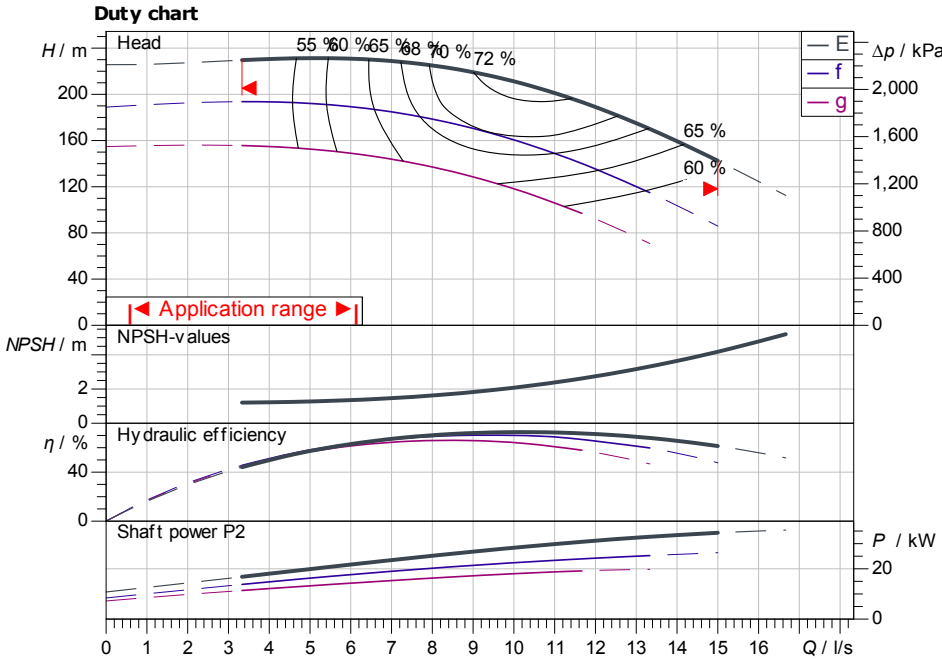
## Technical data

### High-pressure multistage centrifugal pump Zeox-FIRST H 4206-37-2

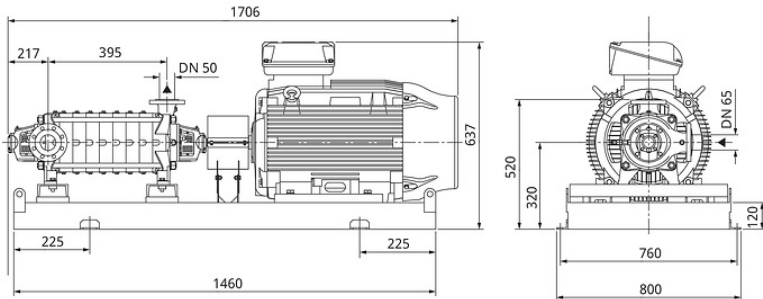
Project ID                      Untitled project 2025-03-04 09:37:01.987

Project name  
Installation location  
Customer pos. No.

Date                      2025-03-04



ISO 9906: 2012 3B



#### Requested data

Flow	
Head	
Media	Water 100 %
Fluid temperature	20.00 °C
Density	998.30 kg/m <sup>3</sup>
Kin. viscosity	1.00 mm <sup>2</sup> /s

#### Hydraulic data (Duty point)

Flow	
Head	
Shaft power P2	
Hydraulic efficiency	
NPSH	

#### Product data

High-pressure multistage centrifugal pump Zeox-FIRST H 4206-37-2	
Max. operating pressure	5,000 kPa
Fluid temperature	-5 °C ... +90 °C
Max. ambient temperature	40 °C
Minimum efficiency index (MEI)	

#### Motor data per Motor/Pump

Motor efficiency level	IE3
Mains connection	3~ 400 V / 50 Hz
Permitted voltage tolerance	+10 %
Max. speed	2,900 1/min
Rated power P2	37.00 kW
Rated current	67.80 A
Power factor	0.84
Efficiency	
50% / 75% / 100%	92.6/93.8/93.8%
Degree of protection	IP55
Insulation class	F
Motor protection	

#### Fitting dimensions

Pipe connection on the suction side	DN 65, PN 25
Pipe connection (pressure side)	DN 50, PN 63
Port to Port	

#### Materials

Pump housing	EN-GJL-250/EN-GJS-400
Shaft	1.4028
Shaft seal	U2BPFG
Impeller	EN-GJL-200
Stage chamber material	EN-GJS-500-7

#### Information for order placements

Weight approx.	
Item number	4191802

**Dimensions**                      mm

Contact  
E-mail  
Phone

**Customer**

Contact  
E-mail  
Phone

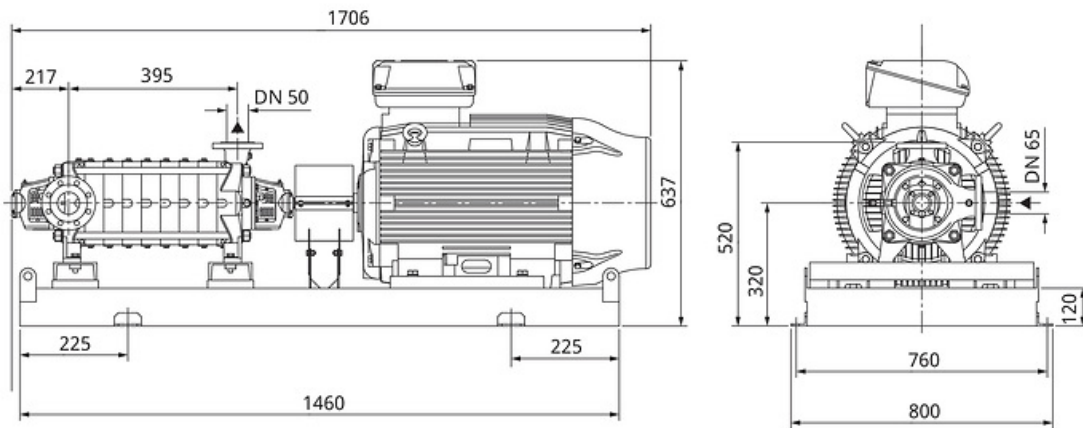
## Dimensions

High-pressure multistage centrifugal pump  
Zeox-FIRST H 4206-37-2

Project ID                      Untitled project 2025-03-04 09:37:01.987

Project name  
Installation location  
Customer pos. No.

Date                      2025-03-04



**Standard**

Suction side                      DN 65, PN 25/PN 63  
Discharge side                      DN 50, PN 25/PN 63

**Dimensions**                      mm

Name	Value	Name	Value	Name	Value	Name	Value
------	-------	------	-------	------	-------	------	-------