

Customer

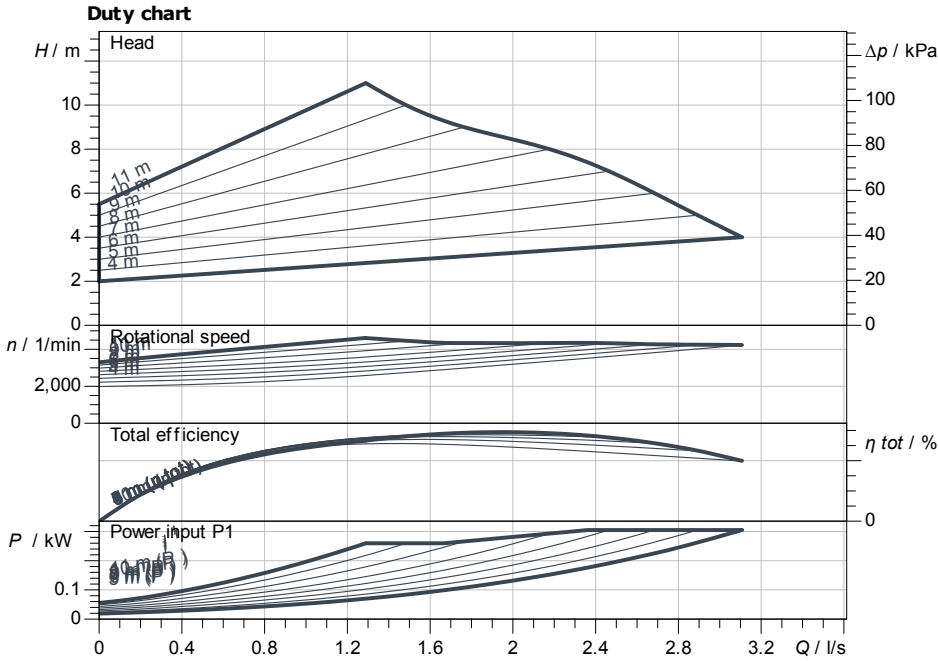
Technical data

Glandless standard high-efficiency pump Yonos MAXO 30/0,5-12 PN10

Project ID Untitled project 2025-03-04 09:37:01.987

Project name
Installation location
Customer pos. No.

Date 2025-03-04



Requested data

Flow	
Head	
Media	Water 100 %
Fluid temperature	20.00 °C
Density	998.30 kg/m ³
Kin. viscosity	1.00 mm ² /s

Hydraulic data (Duty point)

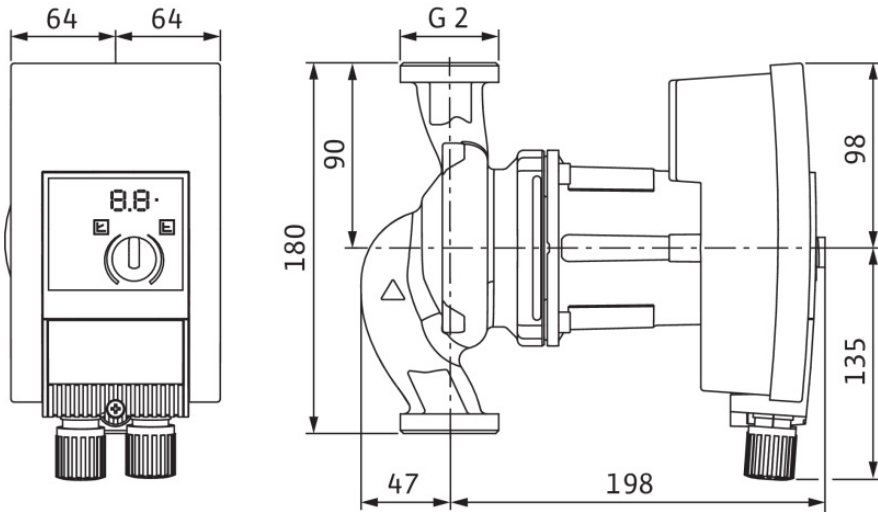
Flow	
Head	
Power input P1	

Product data

Glandless standard high-efficiency pump	
Yonos MAXO 30/0,5-12 PN10	
Kind of operation	dp-v
Max. operating pressure	1,000 kPa
Fluid temperature	-20 °C ... +110 °C
Max. ambient temperature	40 °C
Minimum suction head at 50 / 95 / 110 °C	3 / 10 / 16

Motordata per Motor/Pump

Motor design	EC motor
Energy efficiency index (EEI)	≤ 0.2
Mains connection	1~ 230 V / 50 Hz
Permitted voltage tolerance	+/- 10 %
Max. speed	4,800 1/min
Power input P1	0.31 kW
Current consumption	1.33 A
Degree of protection	IPX4D
Insulation class	F
Motor protection	Internal protection over
Electromagnetic compatibility	
Emitted interference	EN 61800-3;2004+A1
Interference resistance	EN 61800-3;2004+A1
Threaded cable connection	2 x M20x1.5



Fitting dimensions

Pipe connection on the suction side	G 2, PN 10
Pipe connection (pressure side)	G 2, PN 10
Port to Port	180 mm

Materials

Pump housing	EN-GJL-200
Impeller	PPE/PS-GF30
Shaft	1.4122
Bearing	Carbon-graphite

Information for order placements

Weight approx.	5.4 kg
Item number	2120644

