

Customer

Technical data

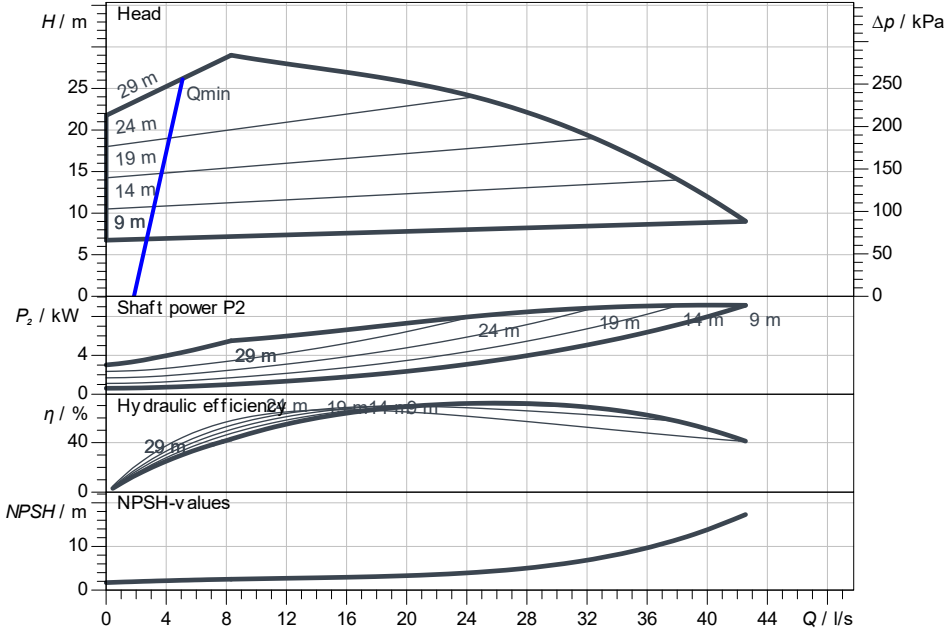
Single-pump system COR-1 MVIE 9501-GE

Project ID Untitled project 2025-03-01 23:53:16.395

Project name
Installation location
Customer pos. No.

Date 2025-03-01

Duty chart



Requested data

Flow
Head
Media Water 100 %
Fluid temperature 20.00 °C
Density 998.30 kg/m³
Kin. viscosity 1.00 mm²/s

Hydraulic data (Duty point)

Flow
Head
Shaft power P2

Product data

Single-pump system
COR-1 MVIE 9501-GE
Control With frequency converter
No. of pumps 1
Max. operating pressure 1,600 kPa
Inlet pressure max. 10 bar
Fluid temperature 3 °C ... +60 °C
Max. ambient temperature 50 °C
Protection class motor IP55
Protection class of switchgear IP55
Diaphragm pressure vessel Yes
Low-water cut-out switchgear No

Motordata per Motor/Pump

Motor efficiency level IE5
Mains connection 3~ 400 V / 50 Hz
Permitted voltage tolerance
Max. speed
Rated power P2 11.00 kW
Rated current 19.60 A

Efficiency 50% / 75% / 100% //94.2%
Insulation class F
Motor protection Yes

Fitting dimensions

Pipe connection on the suction side DN 100, PN 10
Pipe connection (pressure side) DN 100, PN 16

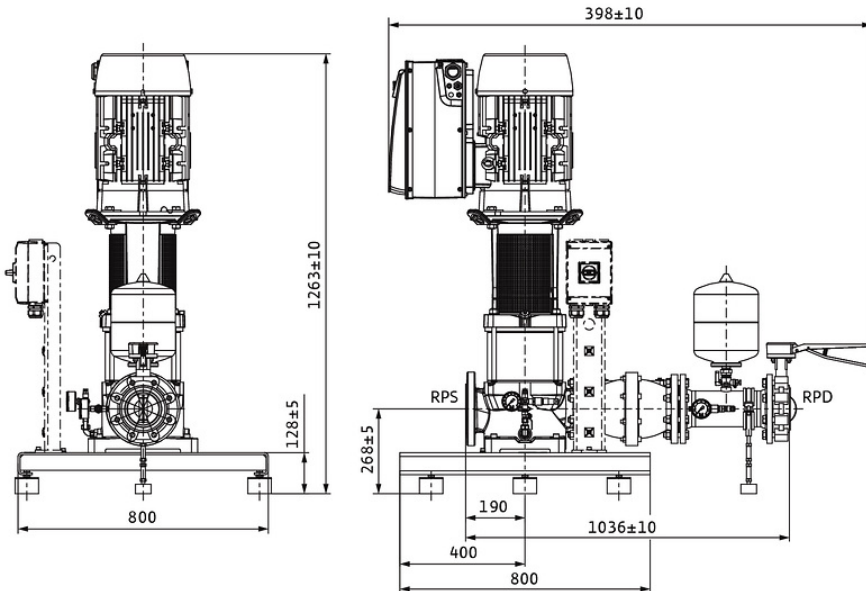
Materials

Pump housing 5.1301/EN-GJL-250

Impeller 1.4408
Shaft 1.4057
Shaft seal BQ7EGG
Gasket material EPDM
Pipework material 1.4404

Information for order placements

Weight approx. 262 kg
Item number 2551694



Dimensions mm

