

**Customer**

## Technical data

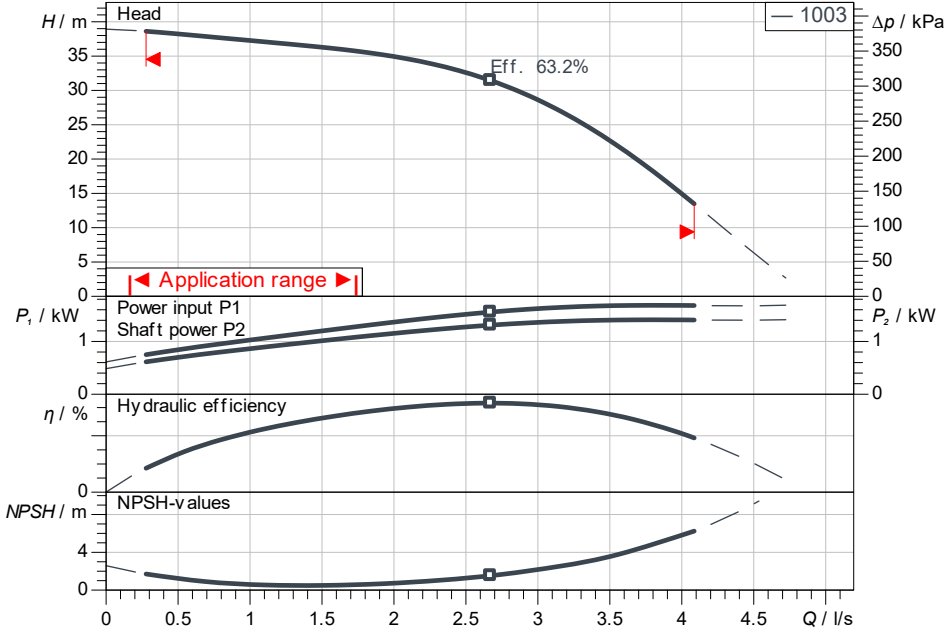
### High-pressure multistage centrifugal pump Medana CH1-L.1003-1/E/E/10T/QQ

Project ID: Untitled project 2025-03-03 23:00:00.495

Project name  
Installation location  
Customer pos. No.

Date: 2025-03-03

#### Duty chart



#### Requested data

Flow  
Head  
Media: Water 100 %  
Fluid temperature: 20.00 °C  
Density: 998.30 kg/m<sup>3</sup>  
Kin. viscosity: 1.00 mm<sup>2</sup>/s

#### Hydraulic data (Duty point)

Flow  
Head

#### Product data

High-pressure multistage centrifugal pump  
Medana CH1-L.1003-1/E/E/10T/QQ  
Max. operating pressure: 1,000 kPa  
Inlet pressure max.: 600 kPa  
Fluid temperature: -20 °C ... +120 °C  
Max. ambient temperature: 50 °C

#### Motordata per Motor/Pump

Motor efficiency class: IE3  
Mains connection: 3~ 400 V / 50 Hz  
Permitted voltage tolerance: +-10 %  
Max. speed: 2,900 1/min  
Rated power P2: 1.50 kW  
Rated current: 3.30 A  
0  
Degree of protection: IP55  
Insulation class: F  
Motor protection: No

#### Fitting dimensions

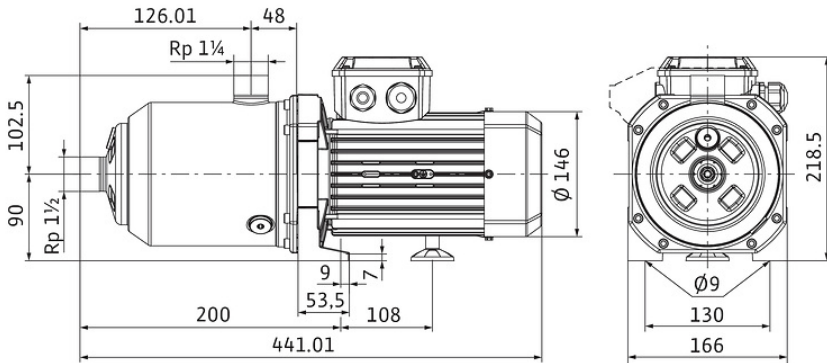
Pipe connection on the suction side: Rp 1½, PN 10  
Pipe connection (pressure side): Rp 1¼, PN 10

#### Materials

Pump housing: 1.4301  
Impeller: 1.4301  
Shaft: 1.4301  
Shaft seal: Q7Q7  
Gasket material: EPDM  
Stage chamber material: 1.4301

#### Information for order placements

Weight approx.: 16.5 kg  
Item number: 4266270



#### Dimensions

mm