

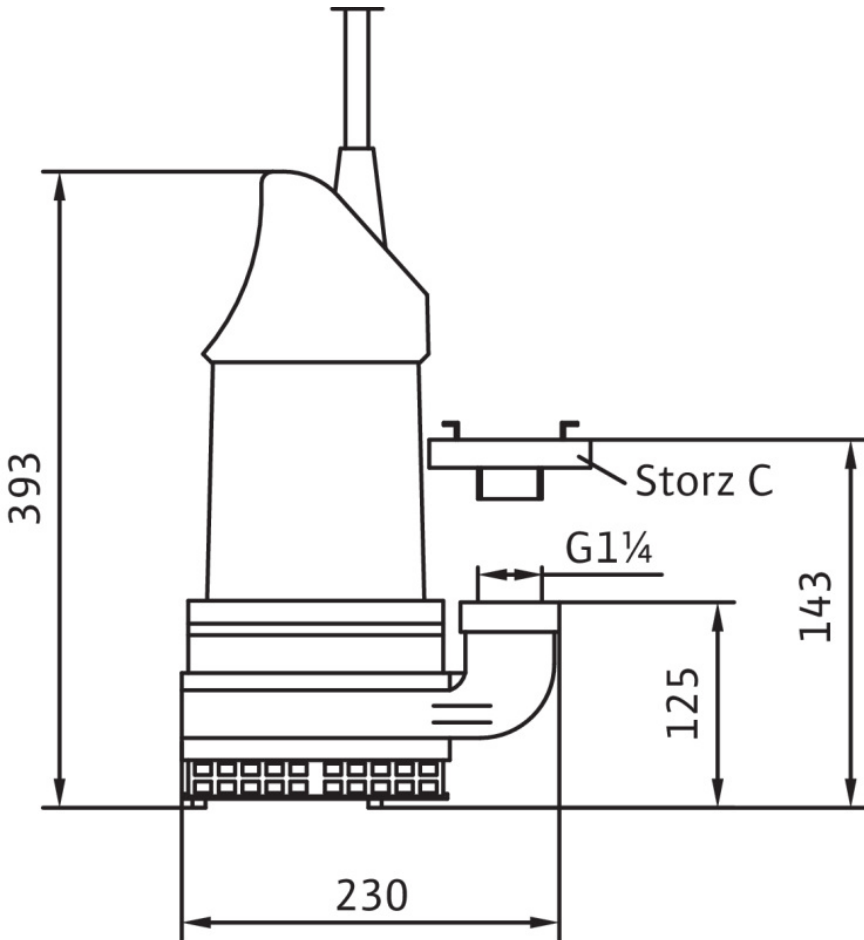
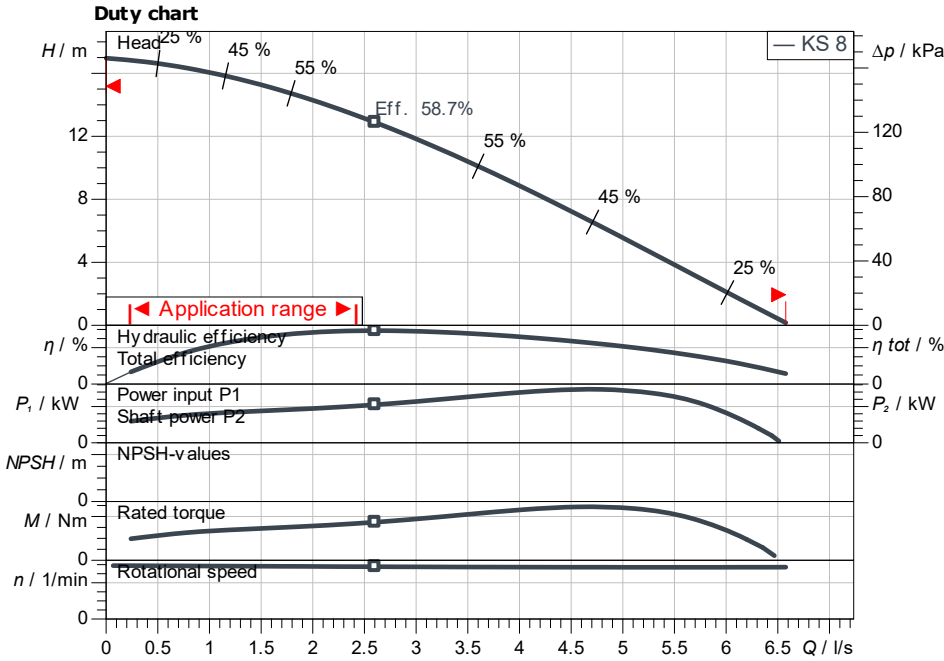
## Technical data

### Submersible drainage pump KS 8E

Project ID: Untitled project 2025-03-03 12:32:55.181

Project name  
Installation location  
Customer pos. No.

Date: 2025-03-03



#### Requested data

Flow  
Head  
Media: Water 100 %  
Fluid temperature: 20.00 °C  
Density: 998.30 kg/m<sup>3</sup>  
Kin. viscosity: 1.00 mm<sup>2</sup>/s

#### Hydraulic data (Duty point)

Flow  
Head  
Power input P1  
Total efficiency

#### Product data

Submersible drainage pump  
KS 8E  
Max. operating pressure: 180 kPa  
Fluid temperature: 3 °C ... +40 °C  
Maximum submergence depth: 12.5 m  
Free ball passage: 9 mm  
Max. fluid temp. for up to 3 min

#### Motordata per Motor/Pump

Type of motor: Submersible motor – sel  
Mains connection: 1~ 230 V / 50 Hz  
Permitted voltage tolerance: +10 %  
Nominal speed: 2,900 1/min  
Rated power P2: 0.75 kW  
Power input P1: 1.1 kW  
Rated current: 5.70 A  
Activation type: Direct On Line (DOL)  
Degree of protection: IP68  
Float switch: No  
Motor protection: No  
Insulation class: F  
Operating mode (immersed): S1  
Operating mode (non-immersed): S1  
Max. operating rate: 15 1/h

#### Cable

Length of connecting cable: 10 m  
Cable type: H07RN-F  
Cable cross section: 4G1,5  
Type of connecting cable: Detachable  
Mains plug: SMP 6M

#### Fitting dimensions

Pipe connection on the suction side,  
Pipe connection (pressure side): Storz C,

#### Materials

Pump housing: 5.1301/EN-GJL-250  
Impeller: 5.1301/EN-GJL-250  
Shaft: 1.4021  
Sealing on pump side: QQPGG  
Sealing on motor side: BVPGG  
Gasket material: FKM  
Motor housing: Aluminium

#### Information for order placements

Weight approx.: 19 kg  
Item number: 6019740