

Customer

Technical data

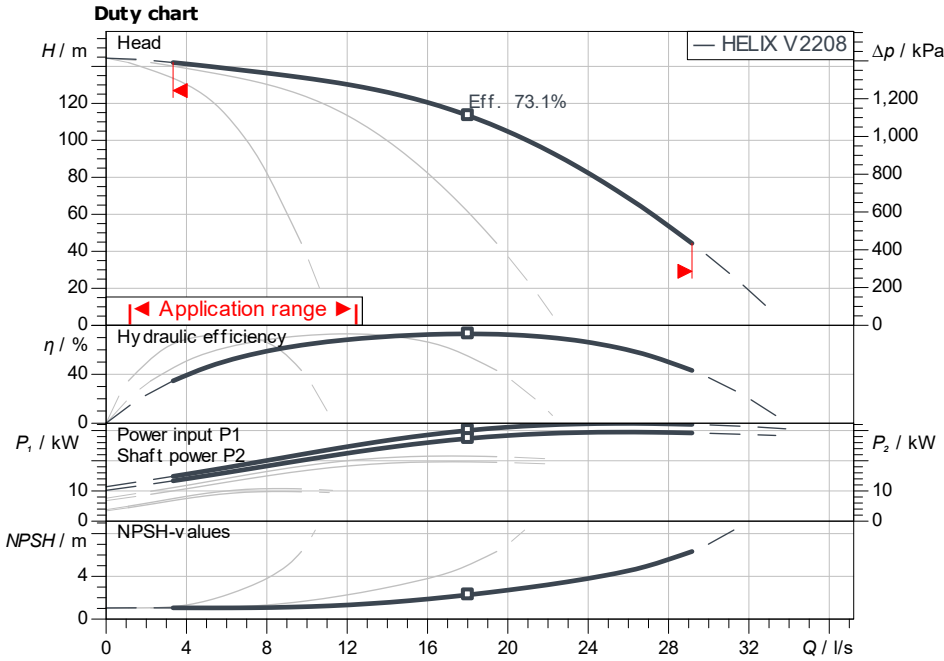
Multi-pump system

SiBoost Smart FC 3 Helix V 2208

Project ID: Untitled project 2025-03-04 01:04:54.425

Project name
Installation location
Customer pos. No.

Date: 2025-03-04



Requested data

Flow	
Head	
Media	Water 100 %
Fluid temperature	20.00 °C
Density	998.30 kg/m ³
Kin. viscosity	1.00 mm ² /s

Hydraulic data (Duty point)

Flow	
Head	
Shaft power P2	

Product data

Multi-pump system
SiBoost Smart FC 3 Helix V 2208

No. of pumps	3
Max. operating pressure	1,600 kPa
Inlet pressure max.	1,000
Fluid temperature	3 °C ... +50 °C
Max. ambient temperature	40 °C
Protection class system	IP55
Protection class of switchgear	IP54
Diaphragm pressure vessel	Yes
Low-water cut-out switchgear	No

Motordata per Motor/Pump

Motor efficiency level	IE3
Mains connection	3~ 400 V / 50 Hz
Permitted voltage tolerance	+/-10 %
Rated speed	2,900 1/min
Rated power P2	11.00 kW
Rated current	21.00 A
Power factor	0.84
Efficiency	
50% / 75% / 100%	90.3/91.3/91.2%
Degree of protection	IP55
Insulation class	F
Motor protection	Yes

Fitting dimensions

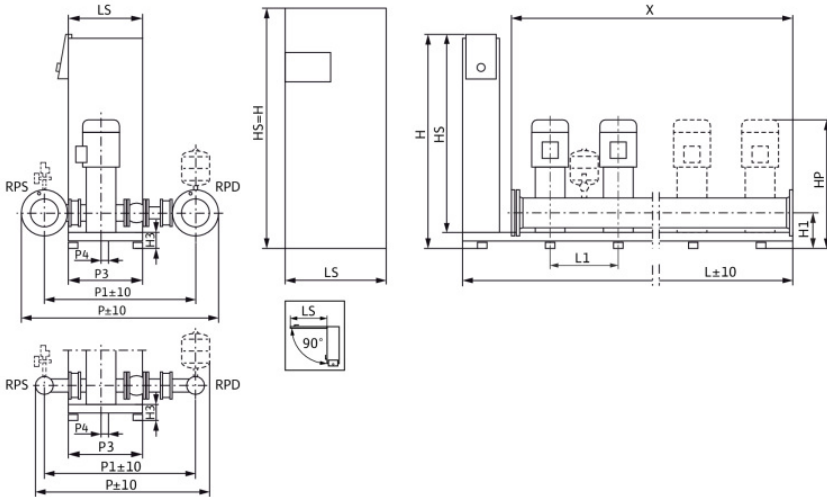
Pipe connection on the suction side DN 100, PN 10
 Pipe connection (pressure side) DN 100, PN 16

Materials

Pump housing	5.1301/EN-GJL-250
Impeller	1.4307
Shaft	1.4057
Shaft seal	Q1BE3GG
Gasket material	EPDM
Pipework material	1.4307

Information for order placements

Weight approx.	775 kg
Item number	2540751



Dimensions		mm	
DNd	DN 100, H3	105	LS 1,000 X 900
DNs	DN 100, HP	1,253	P 1,210
H	1,900	HS 1,900	P1 990
H1	195	L 900	P3 450
H2	332.2	L1 300	P4 25

Contact
E-mail
Phone

Customer

Contact
E-mail
Phone

Dimensions

Multi-pump system

SiBoost Smart FC 3 Helix V 2208

Project ID Untitled project 2025-03-04 01:04:54.425

Project name
Installation location
Customer pos. No.

Date 2025-03-04



Standard

Suction side DN 100, PN 10/PN 16

Discharge side DN 100, PN 10/PN 16

Dimensions mm

Name	Value	Name	Value	Name	Value	Name	Value
DNd	DN 100, PN 16	HS	1,900	P4	25		
DNs	DN 100, PN 10	L	900	X	900		
H	1,900	L1	300				
H1	195	LS	1,000				
H2	332.2	P	1,210				
H3	105	P1	990				
HP	1,253	P3	450				