



Contact  
E-mail  
Phone

**Customer**

Contact  
E-mail  
Phone

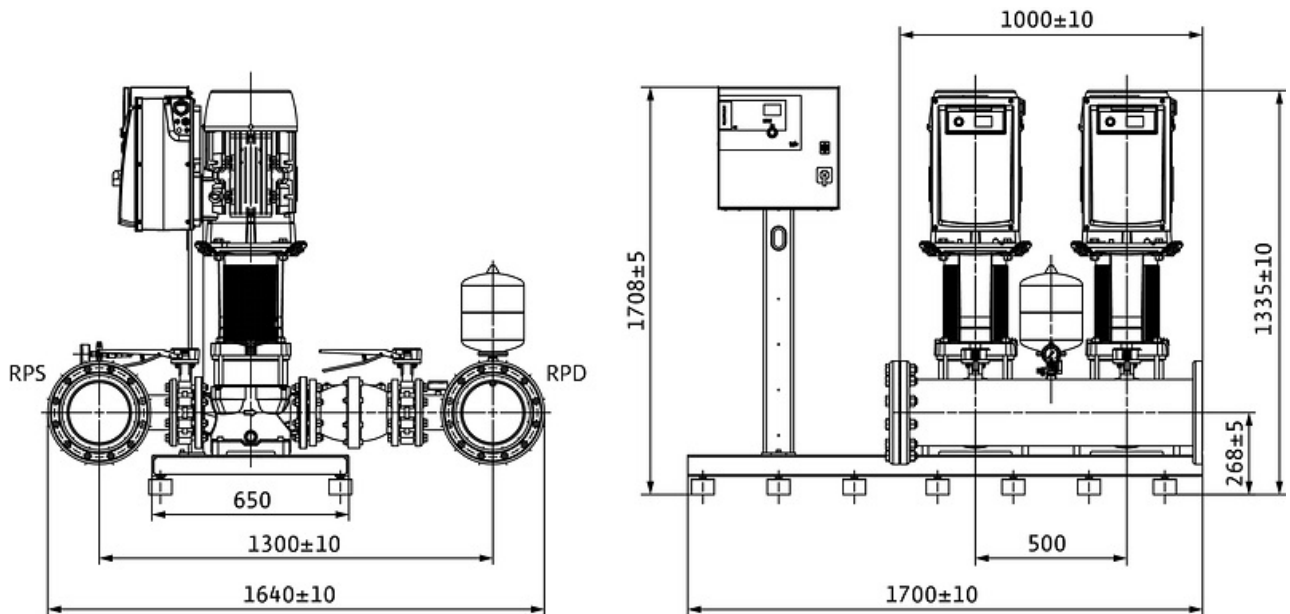
## Dimensions

Multi-pump system  
COR-2 MVIE 7002/SCe

Project ID                      Untitled project 2025-03-01 23:56:42.904

Project name  
Installation location  
Customer pos. No.

Date                      2025-03-01



**Standard**

Suction side                      DN 200, PN 16  
Discharge side                    DN 200, PN 16

**Dimensions**                    mm

| Name | Value | Name | Value | Name | Value | Name | Value |
|------|-------|------|-------|------|-------|------|-------|
|------|-------|------|-------|------|-------|------|-------|