

**Customer**

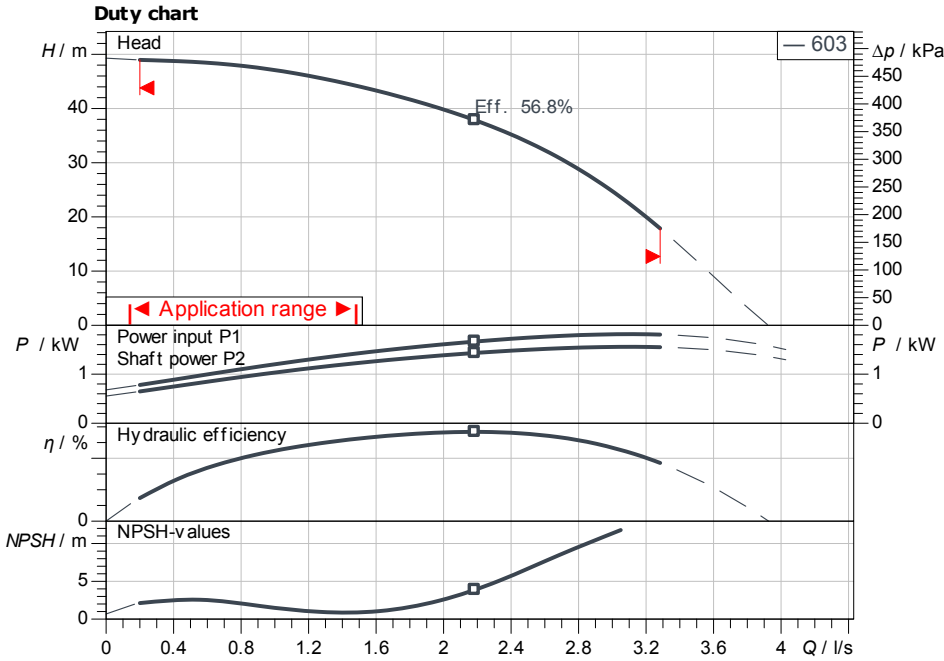
## Technical data

### High-pressure multistage centrifugal pump Medana CH1-LC.603-5/E/G/10T

Project ID                      Untitled project 2025-03-05 08:29:53.905

Project name  
Installation location  
Customer pos. No.

Date                      2025-03-05



#### Requested data

Flow	
Head	
Media	Water 100 %
Fluid temperature	20.00 °C
Density	998.30 kg/m <sup>3</sup>
Kin. viscosity	1.00 mm <sup>2</sup> /s

#### Hydraulic data (Duty point)

Flow  
Head

#### Product data

High-pressure multistage centrifugal pump Medana CH1-LC.603-5/E/G/10T	
Max. operating pressure	1,000 kPa
Inlet pressure max.	600 kPa
Fluid temperature	-20 °C ... +120 °C
Max. ambient temperature	50 °C

#### Motordata per Motor/Pump

Motor efficiency class	IE3
Mains connection	3~ 460 V / 60 Hz
Permitted voltage tolerance	+/- 10 %
Max. speed	3,500 1/min
Rated power P2	1.50 kW
Rated current	3.30 A
0	
Degree of protection	IP55
Insulation class	F
Motor protection	No

#### Fitting dimensions

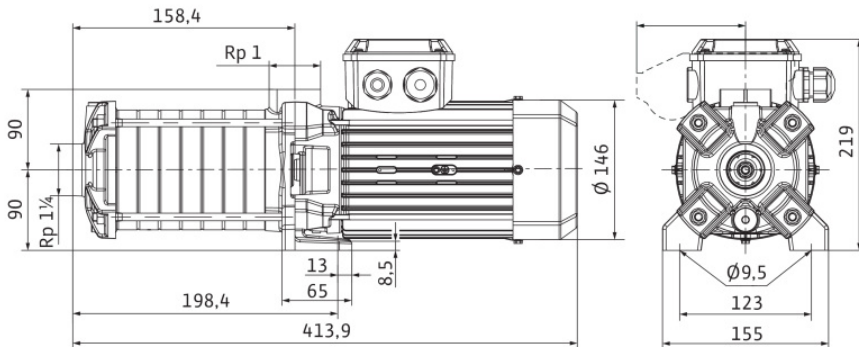
Pipe connection on the suction side	Rp 1 1/4, PN 10
Pipe connection (pressure side)	Rp 1, PN 10

#### Materials

Pump housing	5.1301, EN-GJL-250 c
Impeller	1.4301
Shaft	1.4301
Shaft seal	BQ7EGG
Gasket material	EPDM
Stage chamber material	1.4404

#### Information for order placements

Weight approx.	19.2 kg
Item number	4235388



#### Dimensions                      mm