

Contact  
E-mail  
Phone

**Customer**

Contact  
E-mail  
Phone

# Technical data

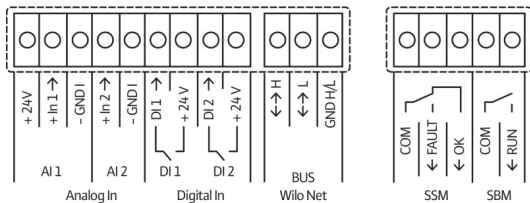
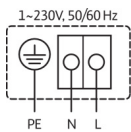
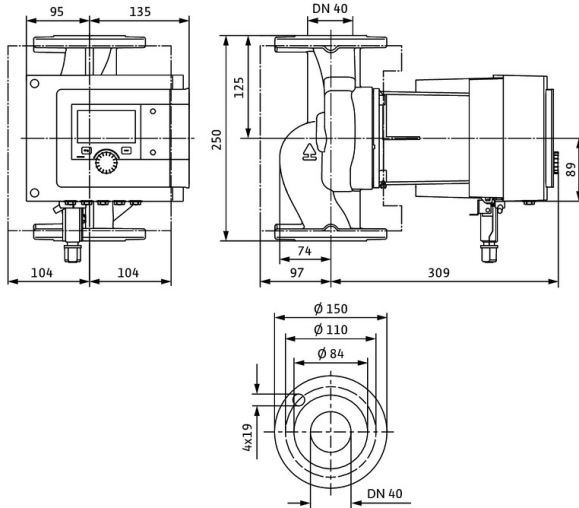
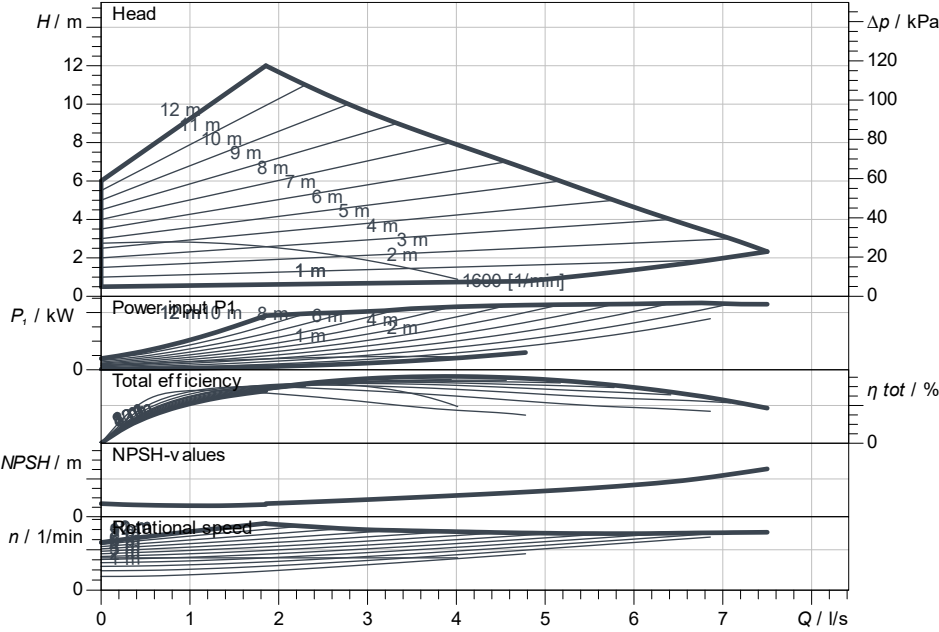
## Glandless premium smart-pump Stratos MAXO 40/0,5-12 PN6/10

Project ID                      Untitled project 2025-03-04 05:18:48.548

Project name  
Installation location  
Customer pos. No.

Date                      2025-03-04

**Duty chart**



**Requested data**

Flow	
Head	
Media	Water 100 %
Fluid temperature	20.00 °C
Density	998.30 kg/m <sup>3</sup>
Kin. viscosity	1.00 mm <sup>2</sup> /s

**Hydraulic data (Duty point)**

Flow	
Head	
Power input P1	

**Product data**

Glandless premium smart-pump	
Stratos MAXO 40/0,5-12 PN6/10	
Kind of operation	dp-v
Max. operating pressure	1,000 kPa
Fluid temperature	-10 °C ... +110 °C
Max. ambient temperature	40 °C

**Motordata per Motor/Pump**

Motor design	EC motor
Energy efficiency index (EEI)	≤ 0.17
Mains connection	1~ 230 V / 50 Hz
Permitted voltage tolerance	+ -10 %
Max. speed	3,600
Power input P1(max)	0.57 kW
Current consumption	2.49 A
Degree of protection	IPX4D
Insulation class	F
Emitted interference	EN 61800-3;2004+A1
Interference resistance	EN 61800-3;2004+A1
Threaded cable connection	

**Fitting dimensions**

Pipe connection on the suction side	DN 40, PN 6/10
Pipe connection (pressure side)	DN 40, PN 6/10
Port to Port	250 mm

**Materials**

Pump housing	5.1301/EN-GJL-250
Impeller	PPS-GF40
Shaft	1.4028, DLC-coated
Bearing	Carbon, antimony-impregnated

**Information for order placements**

Weight approx.	16.4 kg
Item number	2164584