

Customer

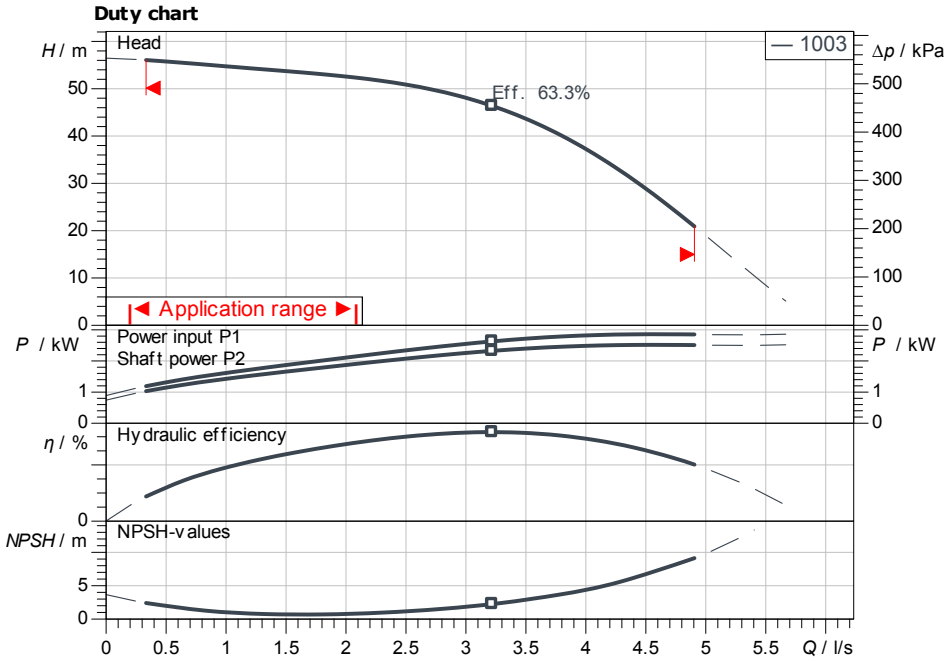
Technical data

High-pressure multistage centrifugal pump Medana CH1-L.1003-1/E/G/10T

Project ID Untitled project 2025-03-05 08:29:53.905

Project name
Installation location
Customer pos. No.

Date 2025-03-05



Requested data

| | |
|-------------------|--------------------------|
| Flow | |
| Head | |
| Media | Water 100 % |
| Fluid temperature | 20.00 °C |
| Density | 998.30 kg/m ³ |
| Kin. viscosity | 1.00 mm ² /s |

Hydraulic data (Duty point)

Flow
Head

Product data

| | |
|--|--------------------|
| High-pressure multistage centrifugal pump Medana CH1-L.1003-1/E/G/10T | |
| Max. operating pressure | 1,000 kPa |
| Inlet pressure max. | 600 kPa |
| Fluid temperature | -20 °C ... +120 °C |
| Max. ambient temperature | 50 °C |

Motordata per Motor/Pump

| | |
|-----------------------------|------------------|
| Motor efficiency class | IE3 |
| Mains connection | 3~ 460 V / 60 Hz |
| Permitted voltage tolerance | + -10 % |
| Max. speed | 3,500 1/min |
| Rated power P2 | 2.50 kW |
| Rated current | 4.50 A |
| 0 | |
| Degree of protection | IP55 |
| Insulation class | F |
| Motor protection | No |

Fitting dimensions

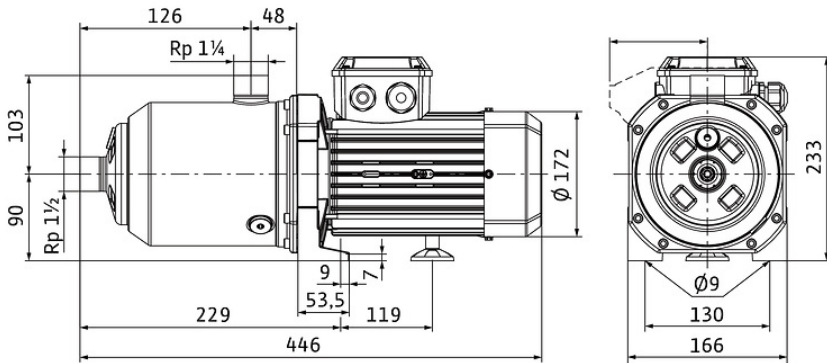
| | |
|-------------------------------------|--------------|
| Pipe connection on the suction side | Rp 1½, PN 10 |
| Pipe connection (pressure side) | Rp 1¼, PN 10 |

Materials

| | |
|------------------------|--------|
| Pump housing | 1.4301 |
| Impeller | 1.4301 |
| Shaft | 1.4301 |
| Shaft seal | BQ7EGG |
| Gasket material | EPDM |
| Stage chamber material | 1.4301 |

Information for order placements

| | |
|----------------|---------|
| Weight approx. | 19.9 kg |
| Item number | 4235379 |



Dimensions mm