

**Customer**

# Technical data

## Single-pump system

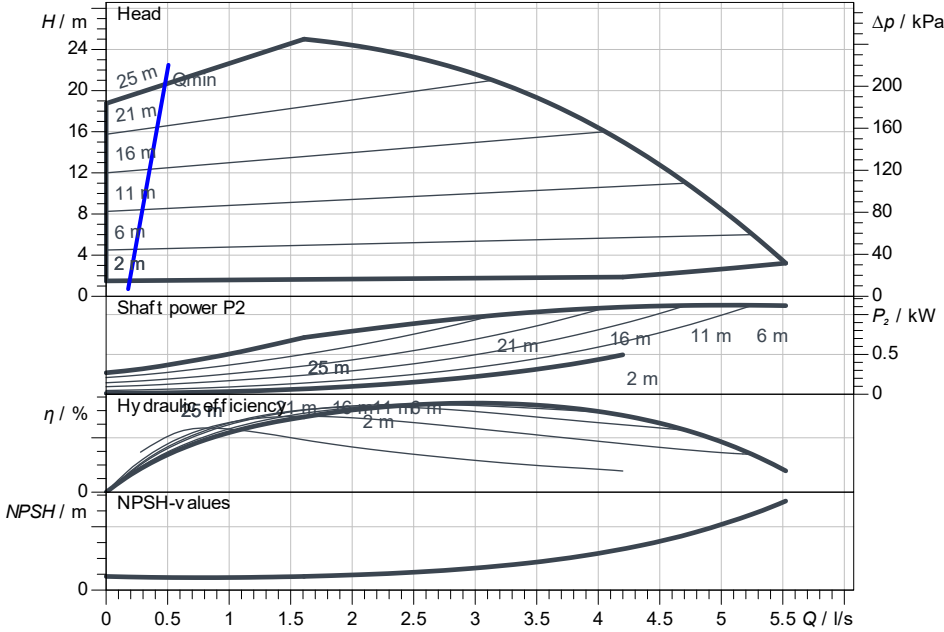
### SiBoost2.0 Smart 1 Helix VE 1002

Project ID: Untitled project 2025-03-04 05:18:48.548

Project name  
Installation location  
Customer pos. No.

Date: 2025-03-04

#### Duty chart



#### Requested data

Flow  
Head  
Media: Water 100 %  
Fluid temperature: 20.00 °C  
Density: 998.30 kg/m<sup>3</sup>  
Kin. viscosity: 1.00 mm<sup>2</sup>/s

#### Hydraulic data (Duty point)

Flow  
Head  
Shaft power P<sub>2</sub>

#### Product data

Single-pump system  
SiBoost2.0 Smart 1 Helix VE 1002  
Control: With frequency converter  
No. of pumps: 1  
Max. operating pressure: 1,600 kPa  
Inlet pressure max.: 10 bar  
Fluid temperature: 3 °C ... +50 °C  
Max. ambient temperature: 40 °C  
Protection class motor: IP55  
Protection class of switchgear: IP55  
Diaphragm pressure vessel: Yes  
Low-water cut-out switchgear: Yes

#### Motordata per Motor/Pump

Motor efficiency level: IE5  
Mains connection: 3~ 400 V / 50 Hz  
Permitted voltage tolerance: 400/50: +/- 10%, 380/50  
Max. speed  
Rated power P<sub>2</sub>: 1.10 kW  
Rated current: 2.00 A

Efficiency: 50% / 75% / 100%  
Insulation class: F  
Motor protection: Yes

#### Fitting dimensions

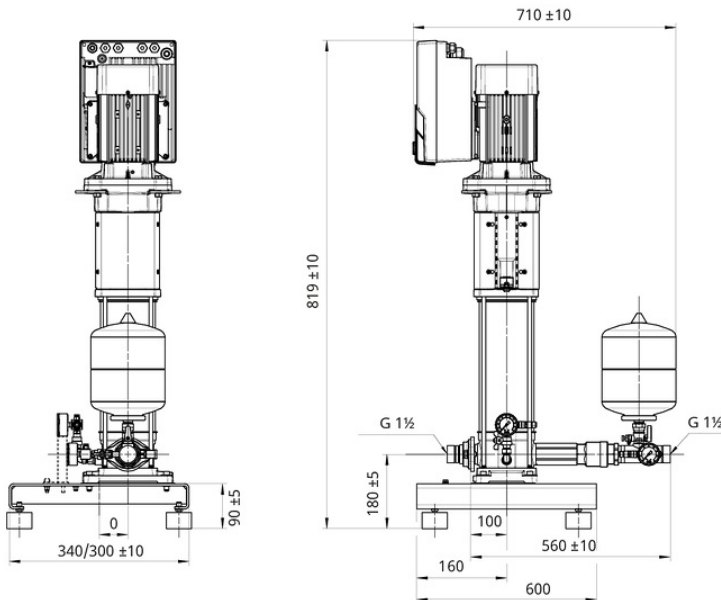
Pipe connection on the suction side: G 1 1/2, PN 10  
Pipe connection (pressure side): G 1 1/2, PN 16

#### Materials

Pump housing: 1.4301  
Impeller: 1.4307  
Shaft: 1.4301  
Shaft seal: BQ7EGG  
Gasket material: EPDM  
Pipework material: 1.4307

#### Information for order placements

Weight approx.: 51 kg  
Item number: 4257970



**Dimensions** mm

Contact  
E-mail  
Phone

**Customer**

Contact  
E-mail  
Phone

## Dimensions

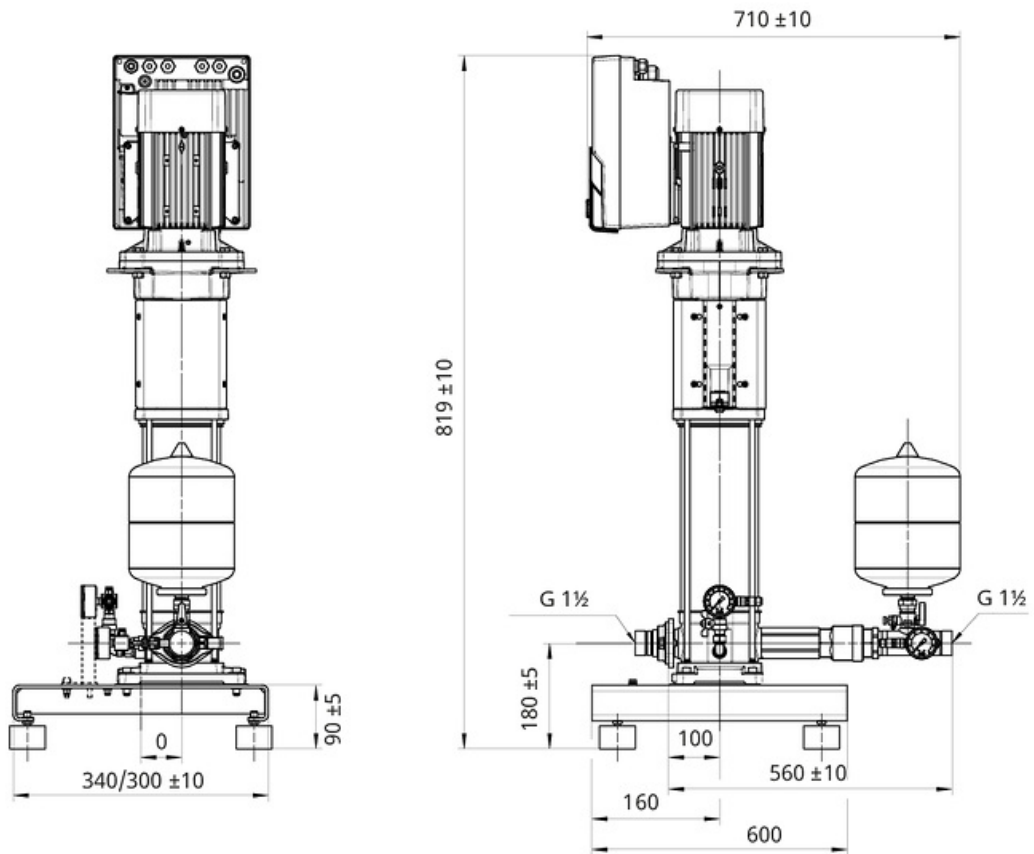
### Single-pump system

SiBoost2.0 Smart 1 Helix VE 1002

Project ID                      Untitled project 2025-03-04 05:18:48.548

Project name  
Installation location  
Customer pos. No.

Date                      2025-03-04



**Standard**

Suction side                      G 1 1/2, PN 10/PN 16  
Discharge side                      G 1 1/2, PN 10/PN 16

**Dimensions**                      mm

Name	Value	Name	Value	Name	Value	Name	Value
------	-------	------	-------	------	-------	------	-------