

Customer

Technical data

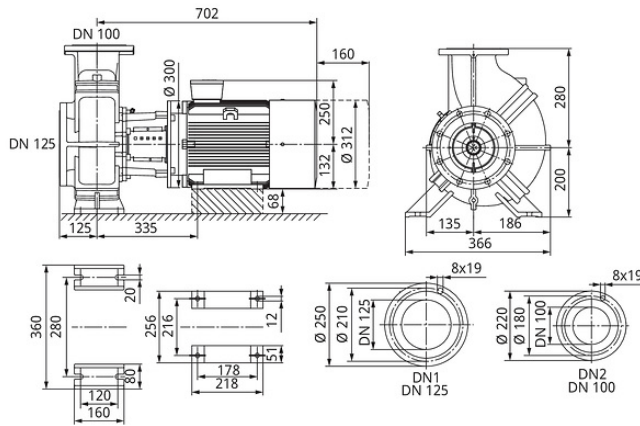
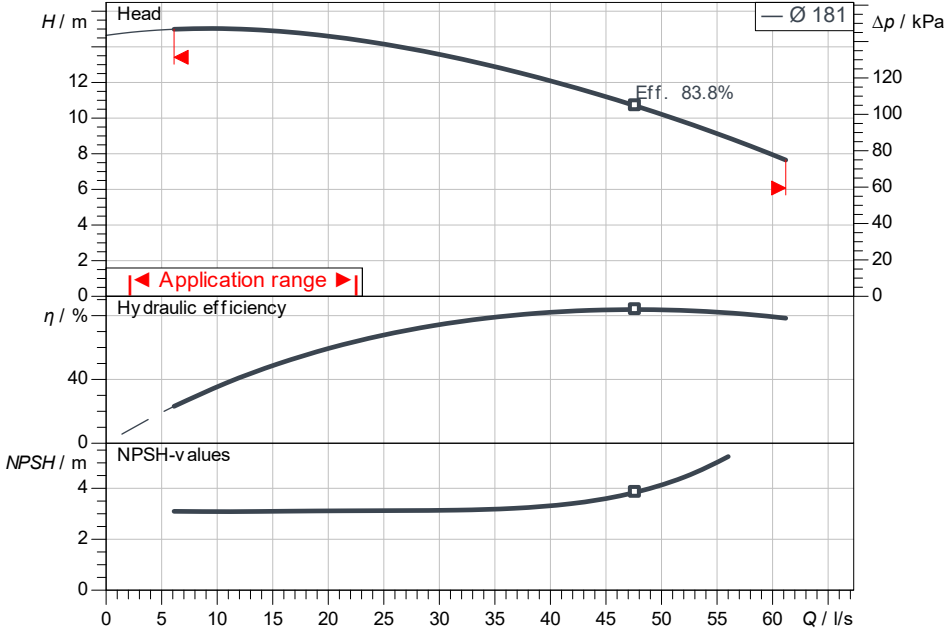
Glanded monobloc pump Atmos GIGA-B 100/160-7,5/4/6

Project ID Untitled project 2025-03-05 00:23:19.113

Project name
Installation location
Customer pos. No.

Date 2025-03-05

Duty chart



Requested data

Flow	
Head	
Media	Water 100 %
Fluid temperature	20.00 °C
Density	998.30 kg/m ³
Kin. viscosity	1.00 mm ² /s

Hydraulic data (Duty point)

Flow	
Head	
Shaft power P2	
Hydraulic efficiency	
NPSH	

Product data

Glanded monobloc pump	
Atmos GIGA-B 100/160-7,5/4/6	
Max. operating pressure	1,600 kPa
Fluid temperature	-20 °C ... +140 °C
Max. ambient temperature	40 °C
Minimum efficiency index (MEI)	≥ 0.4

Motordata per Motor/Pump

Motor efficiency level	IE3
Mains connection	3~ 380 V / 60 Hz
Permitted voltage tolerance	+/- 10 %
Rated speed	1,750 1/min
Rated power P2	7.50 kW
Rated current	15.70 A
Power factor	0.79
Efficiency	50% / 75% / 100%
Degree of protection	IP55
Insulation class	F
Motor protection	PTC integrated

Fitting dimensions

Pipe connection on the suction side	DN 125, PN 16
Pipe connection (pressure side)	DN 100, PN 16
Port to Port	-

Materials

Pump housing	5.1301, EN-GJL-250 cataphoretic-coated
Impeller	EN-GJL-200
Lantern	5.1301/EN-GJL-250
Shaft	1.4122
Shaft seal	AQ1EGG

Information for order placements

Weight approx.	166 kg
Item number	2214085

