

Customer

Technical data

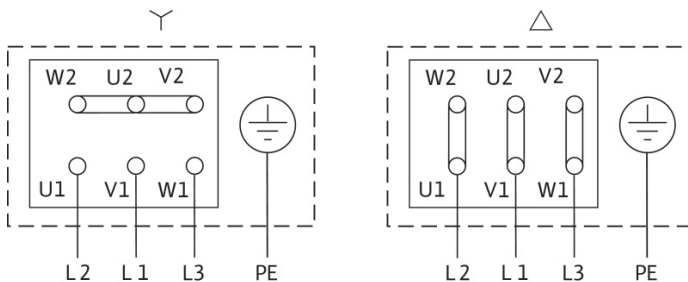
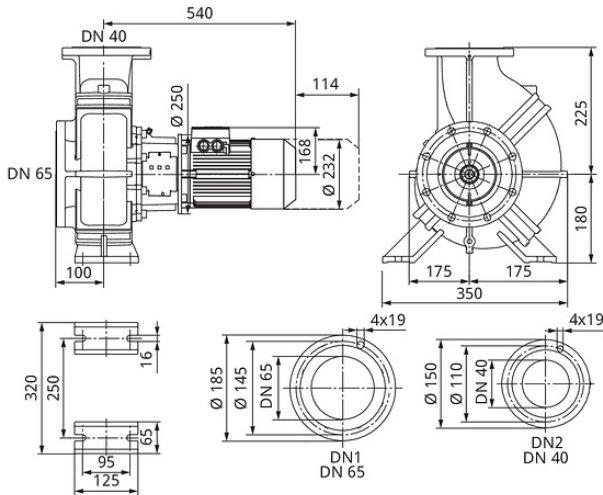
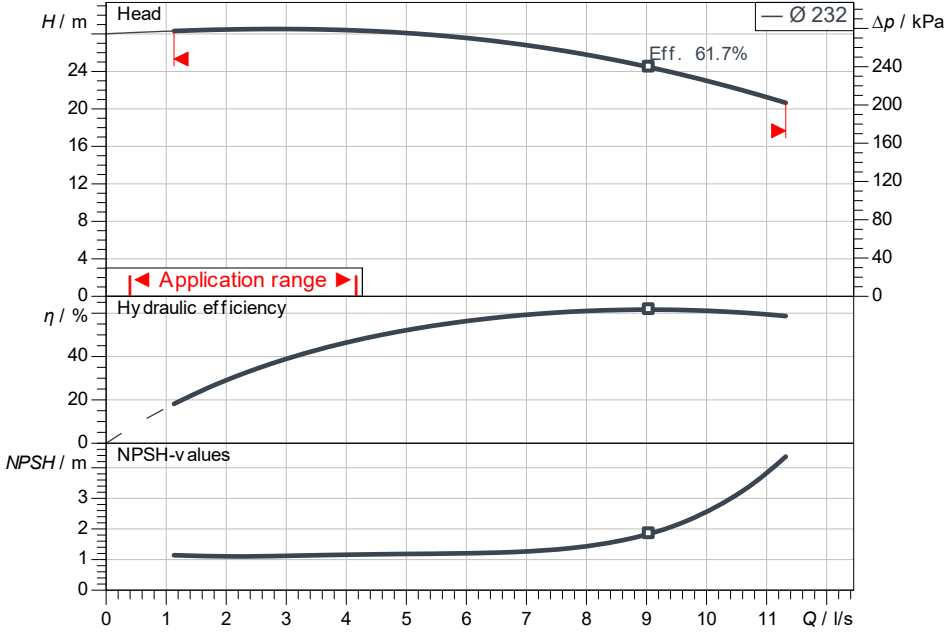
Glanded monobloc pump Atmos GIGA-B 40/240-4/4/6

Project ID Untitled project 2025-03-05 00:23:19.113

Project name
Installation location
Customer pos. No.

Date 2025-03-05

Duty chart



Requested data

Flow
Head
Media Water 100 %
Fluid temperature 20.00 °C
Density 998.30 kg/m³
Kin. viscosity 1.00 mm²/s

Hydraulic data (Duty point)

Flow
Head
Shaft power P2
Hydraulic efficiency
NPSH

Product data

Glanded monobloc pump
Atmos GIGA-B 40/240-4/4/6
Max. operating pressure 1,600 kPa
Fluid temperature -20 °C ... +140 °C
Max. ambient temperature 40 °C
Minimum efficiency index (MEI) ≥ 0.4

Motordata per Motor/Pump

Motor efficiency level IE3
Mains connection 3~ 380 V / 60 Hz
Permitted voltage tolerance +/- 10 %
Rated speed 1,750 1/min
Rated power P2 4.00 kW
Rated current 8.40 A
Power factor 0.81
Efficiency 50% / 75% / 100% 88.2/ 89.6/89.5 %
Degree of protection IP55
Insulation class F
Motor protection No

Fitting dimensions

Pipe connection on the suction side DN 65, PN 16
Pipe connection (pressure side) DN 40, PN 16
Port to Port -

Materials

Pump housing 5.1301, EN-GJL-250 cataphoretic-coated
Impeller EN-GJL-200
Lantern 5.1301/EN-GJL-250
Shaft 1.4122
Shaft seal AQ1EGG

Information for order placements

Weight approx. 122 kg
Item number 2214001