

**Customer**

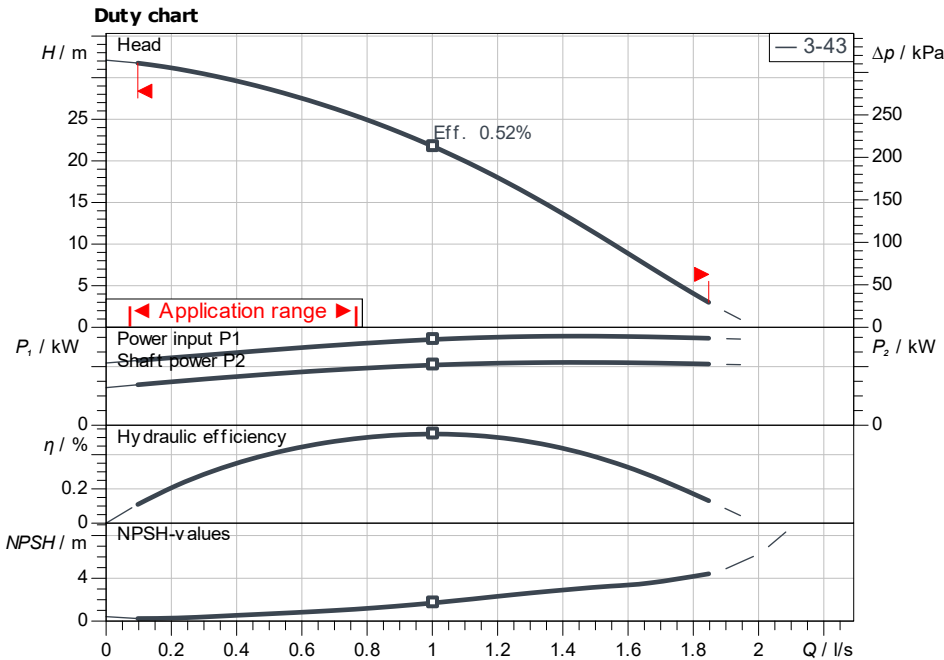
## Technical data

### High-pressure multistage centrifugal pump HiMulti 3 H 50/2-43

Project ID                      Untitled project 2025-03-03 15:12:38.853

Project name  
Installation location  
Customer pos. No.

Date                      2025-03-03



**Requested data**

|                   |                          |
|-------------------|--------------------------|
| Flow              |                          |
| Head              |                          |
| Media             | Water 100 %              |
| Fluid temperature | 20.00 °C                 |
| Density           | 998.30 kg/m <sup>3</sup> |
| Kin. viscosity    | 1.00 mm <sup>2</sup> /s  |

**Hydraulic data (Duty point)**

Flow  
Head

**Product data**

|  |                 |
|--|-----------------|
| High-pressure multistage centrifugal pump<br>HiMulti 3 H 50/2-43 |                 |
| Max. operating pressure  | 800 kPa         |
| Inlet pressure max.  | 300 kPa         |
| Fluid temperature  | 0 °C ... +40 °C |
| Max. ambient temperature   | 40 °C           |
| Volume tank  | 50 l            |
| Degree of protection   | X4              |

**Motordata per Motor/Pump**

|                             |                 |
|-----------------------------|-----------------|
| Mains connection            | 1~230 V / 50 Hz |
| Permitted voltage tolerance | +10/-15 %       |
| Max. speed                  | 2,900 1/min     |
| Rated power $P_2$           | 0.40 kW         |
| Rated current               | 2.70 A          |
| 0                           |                 |

|                  |     |
|------------------|-----|
| Insulation class | F   |
| Motor protection | PTO |

**Fitting dimensions**

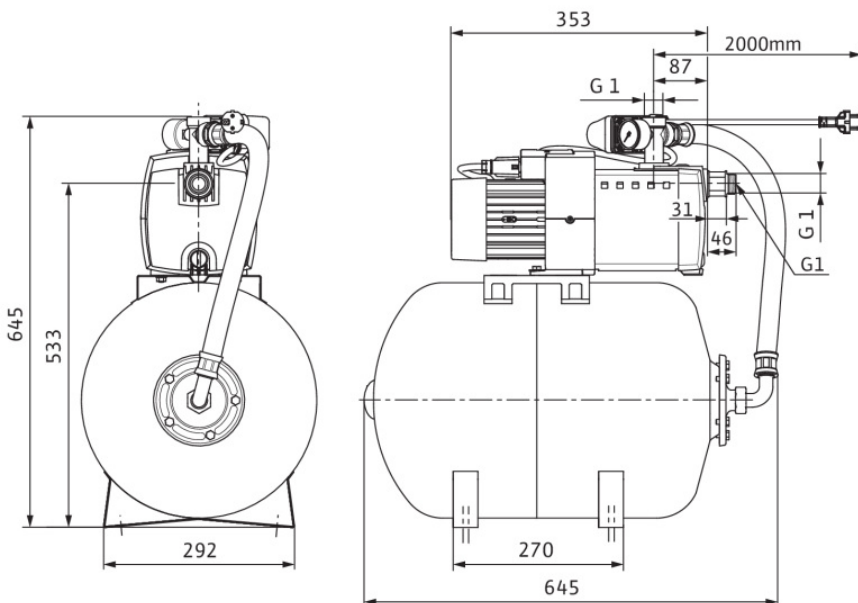
|                                     |               |
|-------------------------------------|---------------|
| Pipe connection on the suction side | G 1, PN 8     |
| Pipe connection (pressure side)     | Rp 1, PN 6/10 |

**Materials**

|                        |              |
|------------------------|--------------|
| Impeller               | PPE/PS-GF30  |
| Motor housing          | 1.4034       |
| Shaft seal             | BVPFF        |
| Stage chamber material | PPE/PS-GF30  |
| Pump housing           | PA6T/6I-GF40 |

**Information for order placements**

|                |         |
|----------------|---------|
| Weight approx. | 19.1 kg |
| Item number    | 2549350 |



**Dimensions**                      mm