

**Customer**

# Technical data

## Multi-pump system

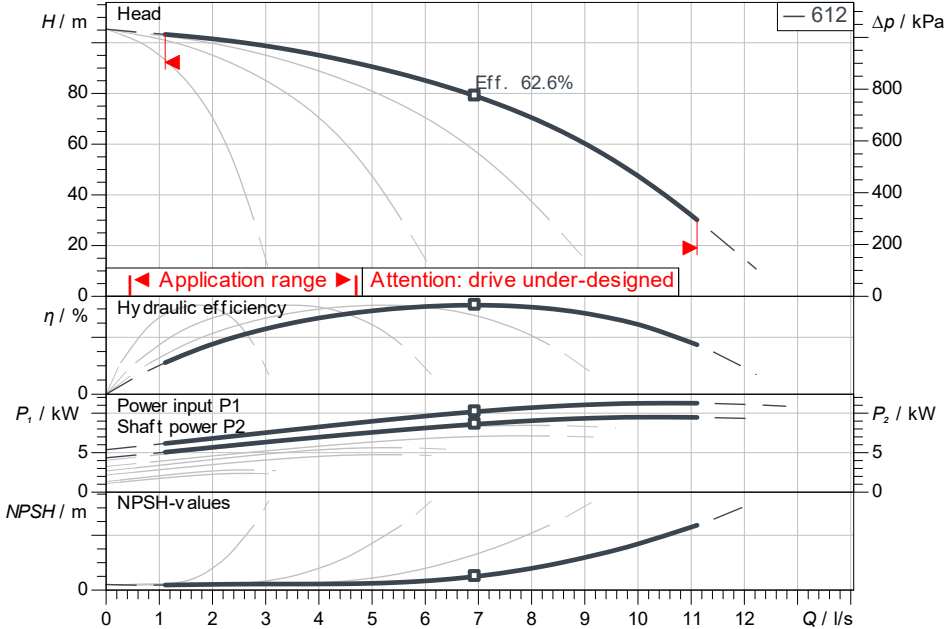
### SiBoost Smart FC 4 Helix V 612

Project ID: Untitled project 2025-03-04 01:04:54.425

Project name  
Installation location  
Customer pos. No.

Date: 2025-03-04

#### Duty chart



#### Requested data

Flow	
Head	
Media	Water 100 %
Fluid temperature	20.00 °C
Density	998.30 kg/m <sup>3</sup>
Kin. viscosity	1.00 mm <sup>2</sup> /s

#### Hydraulic data (Duty point)

Flow	
Head	
Shaft power P2	

#### Product data

Multi-pump system  
SiBoost Smart FC 4 Helix V 612

No. of pumps	4
Max. operating pressure	1,600 kPa
Inlet pressure max.	600
Fluid temperature	3 °C ... +50 °C
Max. ambient temperature	40 °C
Protection class system	IP55
Protection class of switchgear	IP54
Diaphragm pressure vessel	Yes
Low-water cut-out switchgear	No

#### Motordata per Motor/Pump

Motor efficiency level	IE3
Mains connection	3~ 400 V / 50 Hz
Permitted voltage tolerance	+/- 10 %
Rated speed	2,900 1/min
Rated power P2	3.00 kW
Rated current	5.50 A
Power factor	0.9
Efficiency	50% / 75% / 100%
	85.4/87.1/87.1%
Degree of protection	IP55
Insulation class	F
Motor protection	Yes

#### Fitting dimensions

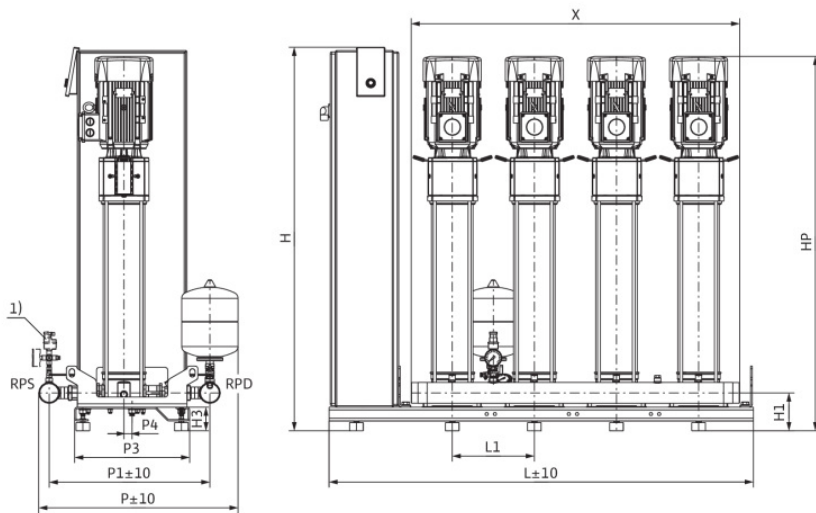
Pipe connection on the suction side	R 2½, PN 10
Pipe connection (pressure side)	R 2½, PN 16

#### Materials

Pump housing	1.4301
Impeller	1.4307
Shaft	1.4301
Shaft seal	Q1BE3GG
Gasket material	EPDM
Pipework material	1.4307

#### Information for order placements

Weight approx.	329 kg
Item number	2536070



#### Dimensions

mm

DNd	R 2½, PN H3	90	LS	250	X	1,200
DNs	R 2½, PN HP	1,148	P	722		
H	1,405	HS	1,300	P1	589	
H1	140	L	1,550	P3	420	
H2	258	L1	300	P4	30	

Contact  
E-mail  
Phone

**Customer**

Contact  
E-mail  
Phone

## Dimensions

### Multi-pump system

SiBoost Smart FC 4 Helix V 612

Project ID

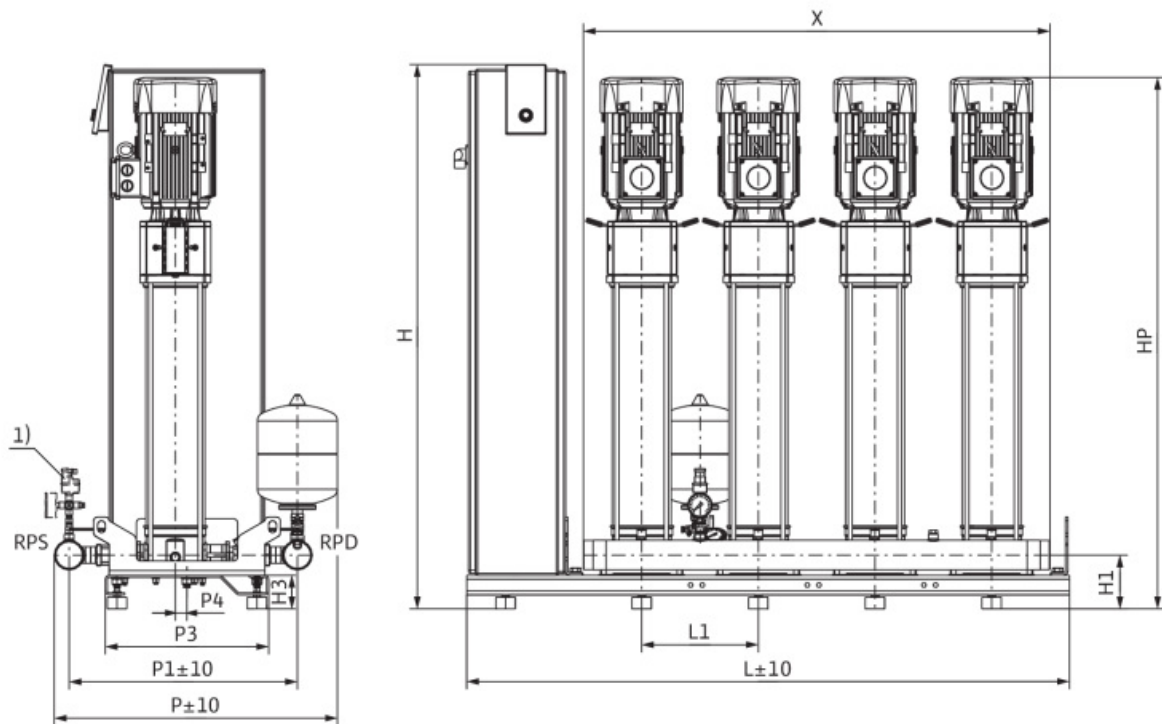
Untitled project 2025-03-04 01:04:54.425

Project name

Installation location

Customer pos. No.

Date 2025-03-04



**Standard**

Suction side R 2½, PN 10/PN 16  
Discharge side R 2½, PN 10/PN 16

**Dimensions** mm

Name	Value	Name	Value	Name	Value	Name	Value
DNd	R 2½, PN 16	HS	1,300	P4	30		
DNs	R 2½, PN 10	L	1,550	X	1,200		
H	1,405	L1	300				
H1	140	LS	250				
H2	258	P	722				
H3	90	P1	589				
HP	1,148	P3	420				