

**Customer**

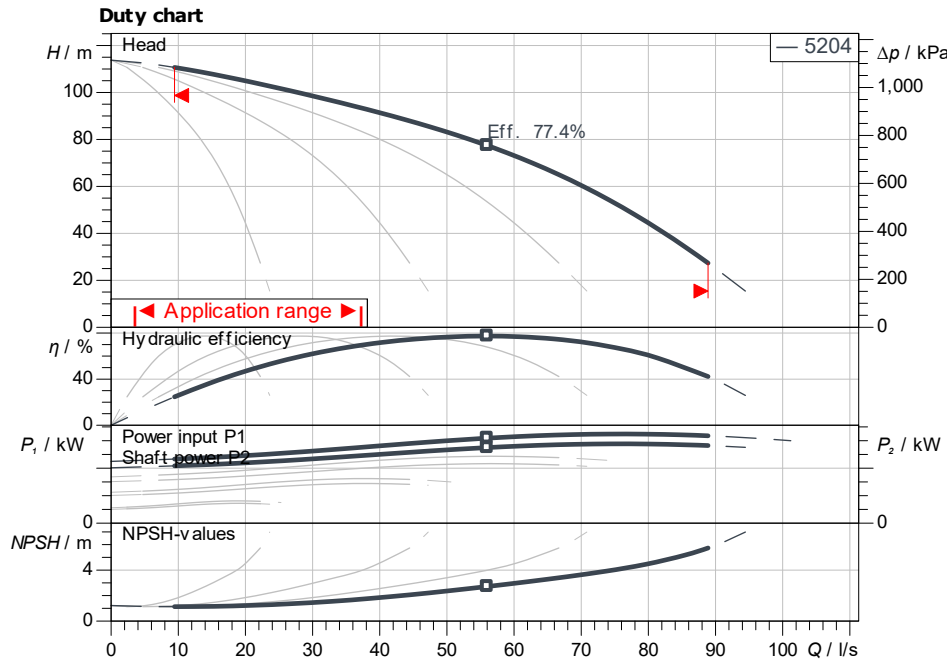
# Technical data

## Multi-pump system SiBoost Smart 4 Helix V 5204

Project ID: Untitled project 2025-03-04 01:04:54.425

Project name  
Installation location  
Customer pos. No.

Date: 2025-03-04



**Requested data**

Flow  
Head  
Media: Water 100 %  
Fluid temperature: 20.00 °C  
Density: 998.30 kg/m<sup>3</sup>  
Kin. viscosity: 1.00 mm<sup>2</sup>/s

**Hydraulic data (Duty point)**

Flow  
Head  
Shaft power  $P_2$

**Product data**

Multi-pump system  
SiBoost Smart 4 Helix V 5204

No. of pumps: 4  
Max. operating pressure: 1,600 kPa  
Inlet pressure max.: 1,000  
Fluid temperature: 3 °C ... +50 °C  
Max. ambient temperature: 40 °C  
Protection class system: IP55  
Protection class of switchgear: IP54  
Diaphragm pressure vessel: Yes  
Low-water cut-out switchgear: No

**Motordata per Motor/Pump**

Motor efficiency level: IE3  
Mains connection: 3~ 400 V / 50 Hz  
Permitted voltage tolerance: +-10 %  
Rated speed: 2,900 1/min  
Rated power  $P_2$ : 15.00 kW  
Rated current: 26.70 A  
Power factor: 0.88  
Efficiency: 50% / 75% / 100%  
Degree of protection: IP55  
Insulation class: F  
Motor protection: Yes

**Fitting dimensions**

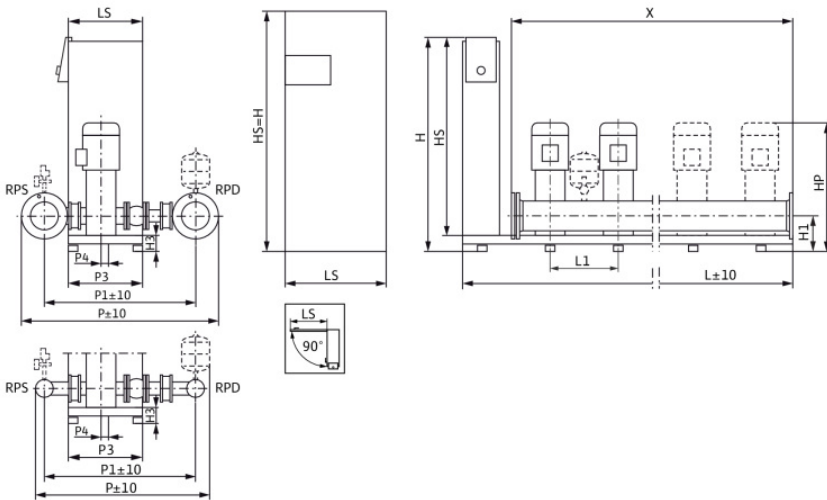
Pipe connection on the suction side: DN 200, PN 16  
Pipe connection (pressure side): DN 200, PN 16

**Materials**

Pump housing: 5.1301/EN-GJL-250  
Impeller: 1.4307  
Shaft: 1.4057  
Shaft seal: Q1BE3GG  
Gasket material: EPDM  
Pipework material: 1.4307

**Information for order placements**

Weight approx.: 1210 kg  
Item number: 2540842



Dimensions		mm	
DNd	DN 200, H3	125	LS 600 X 2,000
DNs	DN 200, HP	1,583	P 1,456
H	1,900	HS	1,900
H1	265	L	2,080
H2	454.5	L1	500
		P1	1,116
		P3	500
		P4	0

Contact  
E-mail  
Phone

**Customer**

Contact  
E-mail  
Phone

## Dimensions

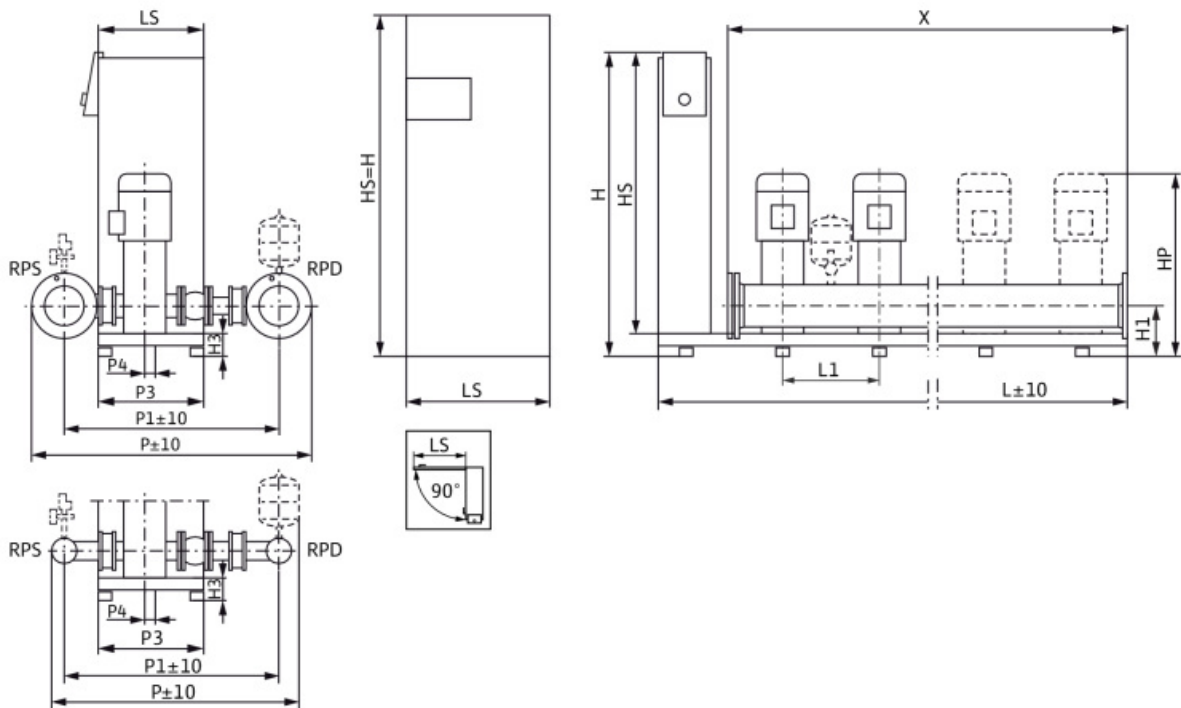
### Multi-pump system

SiBoost Smart 4 Helix V 5204

Project ID                      Untitled project 2025-03-04 01:04:54.425

Project name  
Installation location  
Customer pos. No.

Date                      2025-03-04



**Standard**

Suction side                      DN 200, PN 16  
Discharge side                      DN 200, PN 16

**Dimensions**                      mm

Name	Value	Name	Value	Name	Value	Name	Value
DNd	DN 200, PN 16	HS	1,900	P4	0		
DNs	DN 200, PN 16	L	2,080	X	2,000		
H	1,900	L1	500				
H1	265	LS	600				
H2	454.5	P	1,456				
H3	125	P1	1,116				
HP	1,583	P3	500				