

Customer

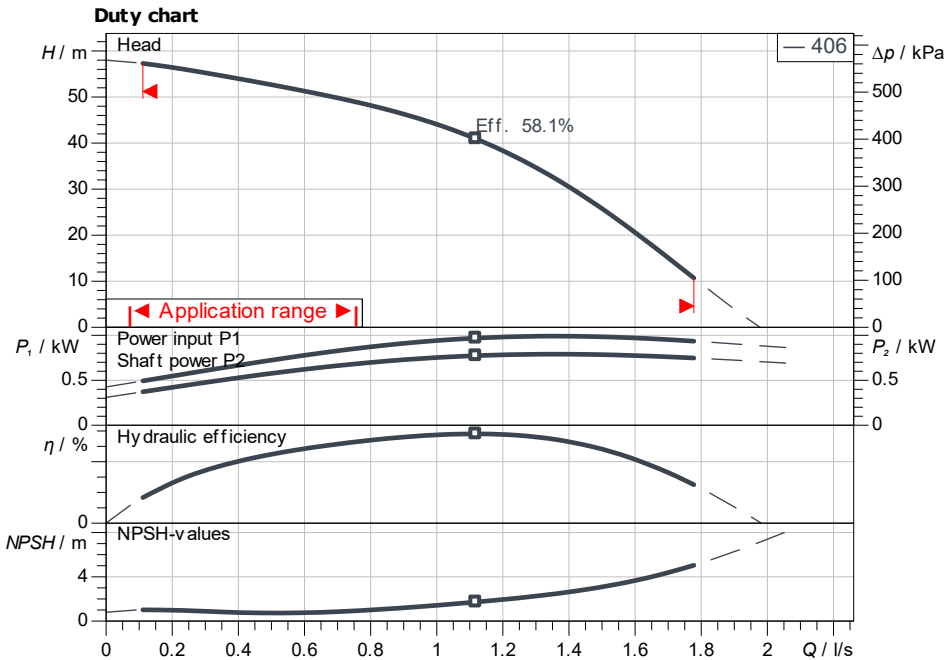
Technical data

High-pressure multistage centrifugal pump Medana CH1-L.406-1/E/E/10T

Project ID: Untitled project 2025-03-03 23:00:00.495

Project name
Installation location
Customer pos. No.

Date: 2025-03-03



Requested data

Flow
Head
Media: Water 100 %
Fluid temperature: 20.00 °C
Density: 998.30 kg/m³
Kin. viscosity: 1.00 mm²/s

Hydraulic data (Duty point)

Flow
Head

Product data

High-pressure multistage centrifugal pump
Medana CH1-L.406-1/E/E/10T
Max. operating pressure: 1,000 kPa
Inlet pressure max.: 600 kPa
Fluid temperature: -20 °C ... +120 °C
Max. ambient temperature: 50 °C

Motordata per Motor/Pump

Motor efficiency class: IE3
Mains connection: 3~ 400 V / 50 Hz
Permitted voltage tolerance: +-10 %
Max. speed: 2,900 1/min
Rated power P2: 0.75 kW
Rated current: 1.90 A
0
Degree of protection: IP55
Insulation class: F
Motor protection: No

Fitting dimensions

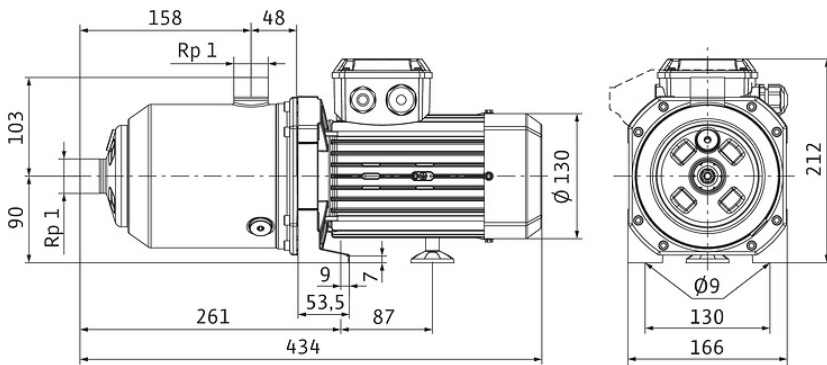
Pipe connection on the suction side: Rp 1, PN 10
Pipe connection (pressure side): Rp 1, PN 10

Materials

Pump housing: 1.4301
Impeller: 1.4301
Shaft: 1.4301
Shaft seal: BQ7EGG
Gasket material: EPDM
Stage chamber material: 1.4301

Information for order placements

Weight approx.: 13.7 kg
Item number: 4231483



Dimensions mm