

Customer

Technical data

Multi-pump system

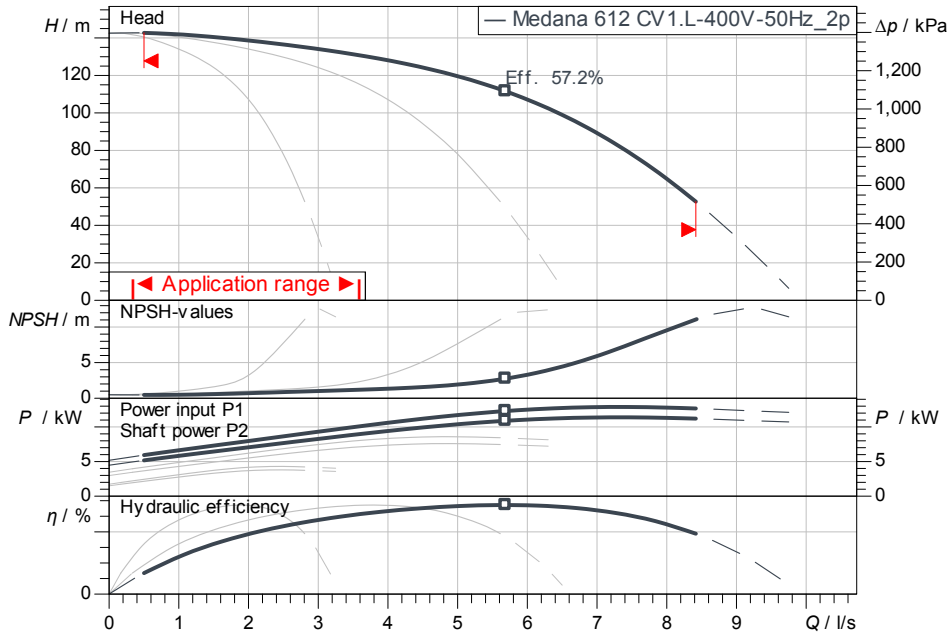
Isar MODV1-3CV1-L-612/EC

Project ID Untitled project 2025-03-03 22:14:23.954

Project name
Installation location
Customer pos. No.

Date 2025-03-03

Duty chart



Requested data

Flow
Head
Media Water 100 %
Fluid temperature 20.00 °C
Density 998.30 kg/m³
Kin. viscosity 1.00 mm²/s

Hydraulic data (Duty point)

Flow
Head
Shaft power P2

Product data

Multi-pump system
Isar MODV1-3CV1-L-612/EC
Control Without frequency conversion
No. of pumps 3
Max. operating pressure 1,600 kPa
Inlet pressure max. 6 bar
Fluid temperature 3 °C ... +60 °C
Max. ambient temperature 40 °C
Protection class motor IP55
Protection class of switchgear IP54
Diaphragm pressure vessel Yes
Low-water cut-out switchgear No

Motordata per Motor/Pump

Motor efficiency level IE3
Mains connection 3~ 400 V / 50 Hz
Permitted voltage tolerance + -10 %
Max. speed 2,900 1/min
Rated power P2 4.20 kW
Rated current 7.80 A

Efficiency 50% / 75% / 100% 88.2/88.8/88.3%
Insulation class F
Motor protection Yes

Fitting dimensions

Pipe connection on the suction side R 2½, PN 10
Pipe connection (pressure side) R 2½, PN 16

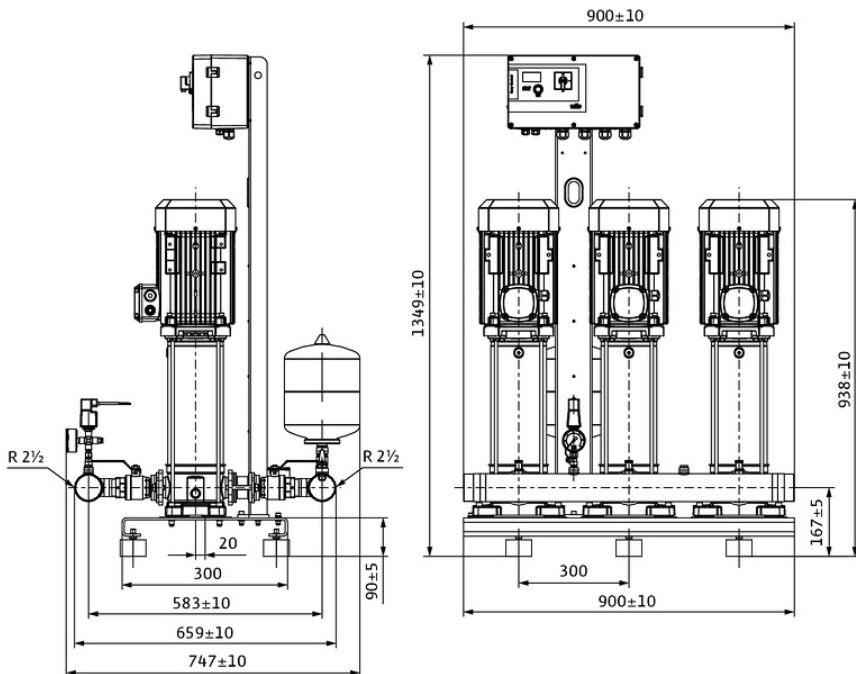
Materials

Pump housing 1.4301

Impeller 1.4301
Shaft 1.4301
Shaft seal BQ1E3GG
Gasket material EPDM
Pipework material 1.4307

Information for order placements

Weight approx. 181 kg
Item number 2554156



Dimensions mm

Contact
E-mail
Phone

Customer

Contact
E-mail
Phone

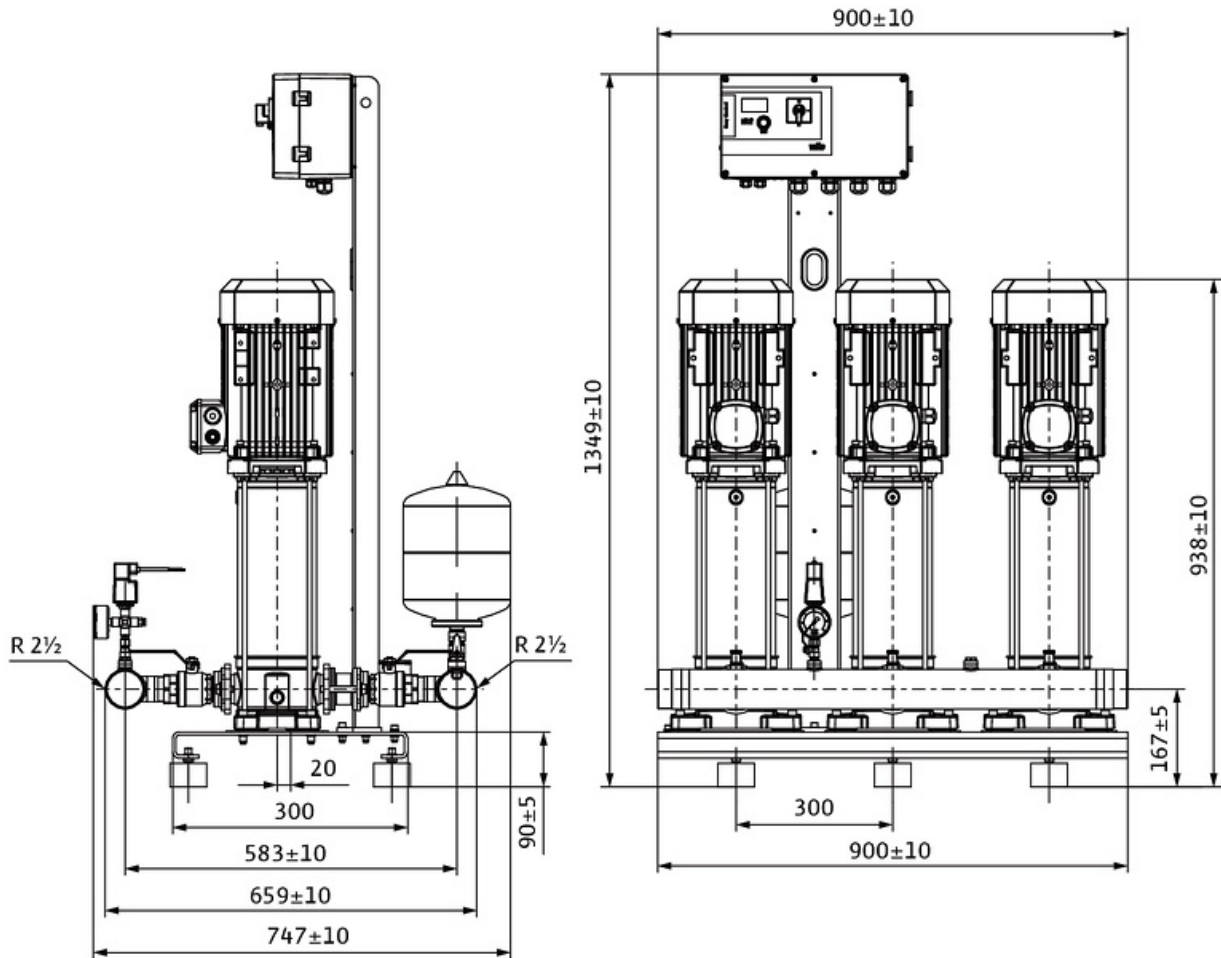
Dimensions

Multi-pump system
Isar MODV1-3CV1-L-612/EC

Project ID Untitled project 2025-03-03 22:14:23.954

Project name
Installation location
Customer pos. No.

Date 2025-03-03



Standard

Suction side R 2½, PN 10/PN 16
Discharge side R 2½, PN 10/PN 16

Dimensions mm

Name	Value	Name	Value	Name	Value	Name	Value
------	-------	------	-------	------	-------	------	-------