

**Customer**

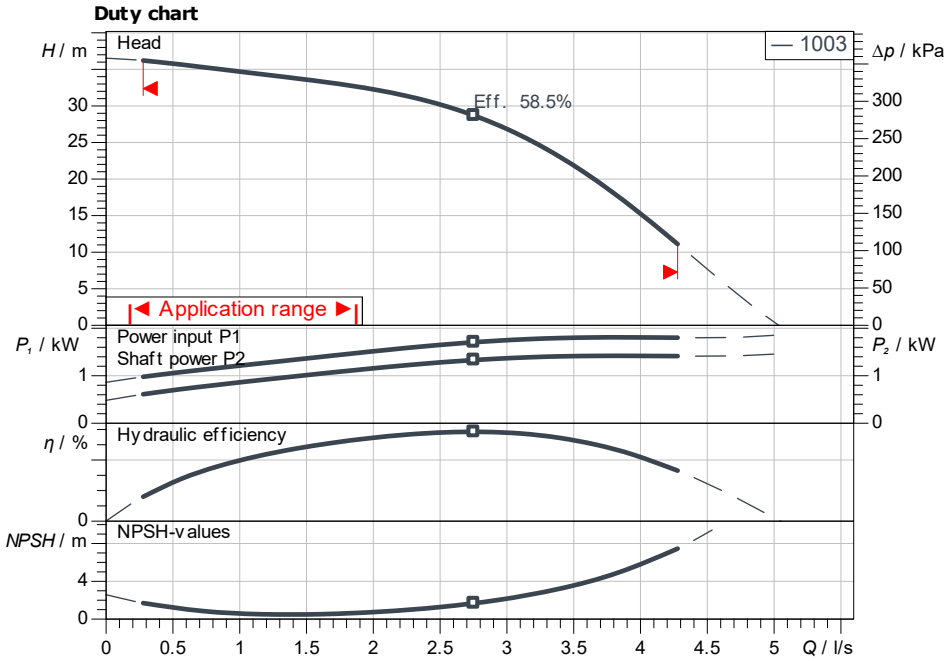
## Technical data

### High-pressure multistage centrifugal pump Medana CH1-LC.1003-5/E/A/10T

Project ID                      Untitled project 2025-03-03 23:00:00.495

Project name  
Installation location  
Customer pos. No.

Date                      2025-03-03



**Requested data**

Flow  
Head  
Media                      Water 100 %  
Fluid temperature                      20.00 °C  
Density                      998.30 kg/m<sup>3</sup>  
Kin. viscosity                      1.00 mm<sup>2</sup>/s

**Hydraulic data (Duty point)**

Flow  
Head

**Product data**

High-pressure multistage centrifugal pump  
Medana CH1-LC.1003-5/E/A/10T  
Max. operating pressure                      1,000 kPa  
Inlet pressure max.                      600 kPa  
Fluid temperature                      -20 °C ... +120 °C  
Max. ambient temperature                      50 °C

**Motordata per Motor/Pump**

Motor efficiency class                      IE2  
Mains connection                      1~230 V / 50 Hz  
Permitted voltage tolerance                      +-10 %  
Max. speed                      2,900 1/min  
Rated power P2                      1.50 kW  
Rated current                      8.30 A  
0  
Degree of protection                      IP55  
Insulation class                      F  
Motor protection                      No

**Fitting dimensions**

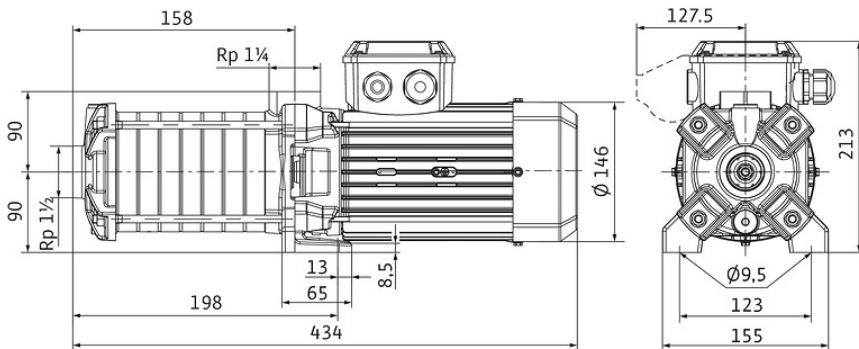
Pipe connection on the suction side                      Rp 1½, PN 10  
Pipe connection (pressure side)                      Rp 1¼, PN 10

**Materials**

Pump housing                      5.1301, EN-GJL-250 c  
Impeller                      1.4301  
Shaft                      1.4301  
Shaft seal                      BQ7EGG  
Gasket material                      EPDM  
Stage chamber material                      1.4404

**Information for order placements**

Weight approx.                      19.2 kg  
Item number                      4260357



**Dimensions**                      mm