

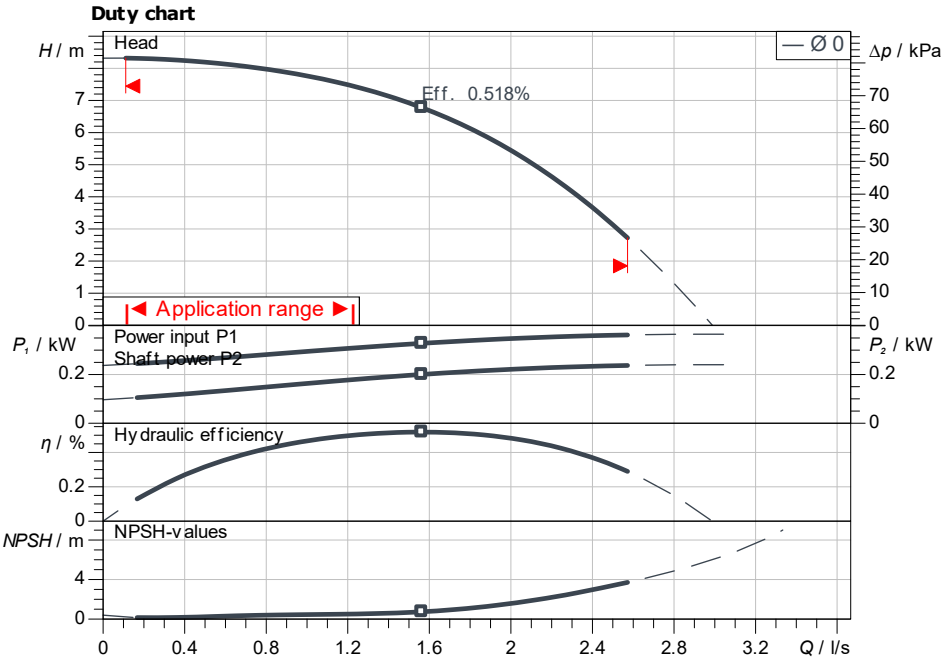
Technical data

High-pressure multistage centrifugal pump Helix V 601-1/16/E/S/1-230-50

Project ID: Untitled project 2025-03-03 20:19:56.538

Project name
Installation location
Customer pos. No.

Date: 2025-03-03



Requested data

Flow	
Head	
Media	Water 100 %
Fluid temperature	20.00 °C
Density	998.30 kg/m ³
Kin. viscosity	1.00 mm ² /s

Hydraulic data (Duty point)

Flow	
Head	
Shaft power P_2	
Hydraulic efficiency	
NPSH	

Product data

High-pressure multistage centrifugal pump	
Helix V 601-1/16/E/S/1-230-50	
Max. operating pressure	1,600 kPa
Inlet pressure max.	10 bar
Fluid temperature	-30 °C ... +120 °C
Max. ambient temperature	40 °C
Minimum efficiency index (MEI)	≥ 0.7

Motordata per Motor/Pump

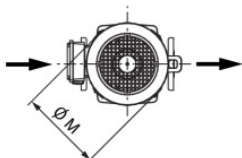
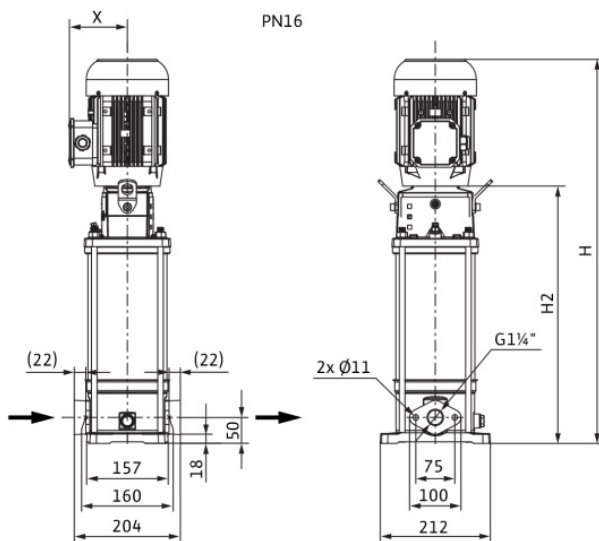
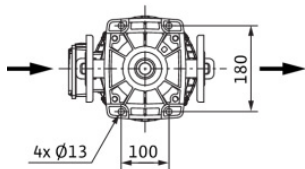
Motor efficiency level	IE2
Mains connection	1~ 230 V / 50 Hz
Permitted voltage tolerance	+10 %
Max. speed	2,820 1/min
Rated power P_2	0.37 kW
Rated current	2.28 A
Power factor	0.98
Service factor	1
Efficiency	50% / 75% / 100% //%
Degree of protection	IP55
Insulation class	F
Motor protection	PTO

ISO 9906: 2012 3B

Dimensions

H	560
H2	336
ØM	130
X	151
X	121

mm



Fitting dimensions

Pipe connection on the suction side	G 1 1/4, PN 16
Pipe connection (pressure side)	G 1 1/4, PN 16

Materials

Pump housing	1.4301
Impeller	1.4307
Shaft	1.4301
Shaft seal	BQ7EGG
Gasket material	EPDM

Information for order placements

Weight approx.	18.7 kg
Item number	4234090