

Customer

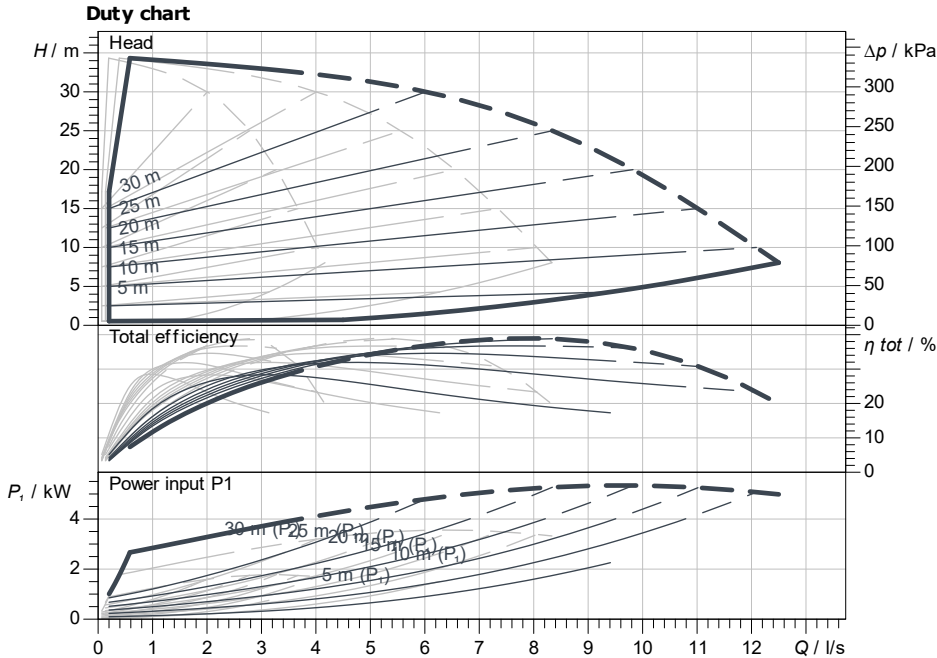
Technical data

Multi-pump system SiBoost Smart 3 MWISE 803

Project ID: Untitled project 2025-03-04 01:04:54.425

Project name
Installation location
Customer pos. No.

Date: 2025-03-04



Requested data

Flow	
Head	
Media	Water 100 %
Fluid temperature	20.00 °C
Density	998.30 kg/m³
Kin. viscosity	1.00 mm²/s

Hydraulic data (Duty point)

Flow
Head
Power input P1

Product data

Multi-pump system	
SiBoost Smart 3 MWISE 803	
Control	With frequency converter
No. of pumps	3
Max. operating pressure	1,600 kPa
Inlet pressure max.	10 bar
Fluid temperature	3 °C ... +50 °C
Max. ambient temperature	40 °C
Protection class motor	IP44
Protection class of switchgear	IP54
Diaphragm pressure vessel	Yes
Low-water cut-out switchgear	Yes

Motordata per Motor/Pump

Mains connection	3~ 400 V / 50 Hz
Permitted voltage tolerance	+10 %
Max. speed	2,900 1/min
Rated power P2	1.10 kW
Rated current	4.20 A
Insulation class	F
Motor protection	PTC

Fitting dimensions

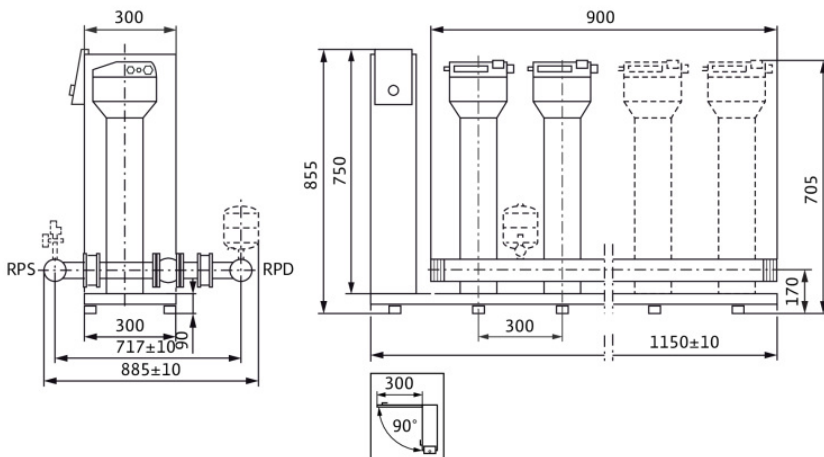
Pipe connection on the suction side	R 3, PN 10
Pipe connection (pressure side)	R 3, PN 16

Materials

Pump housing	1.4301
Impeller	1.4301
Shaft	1.4122
Gasket material	EPDM
Pipework material	1.4307

Information for order placements

Weight approx.	162 kg
Item number	2550755



Dimensions mm

Contact
E-mail
Phone

Customer

Contact
E-mail
Phone

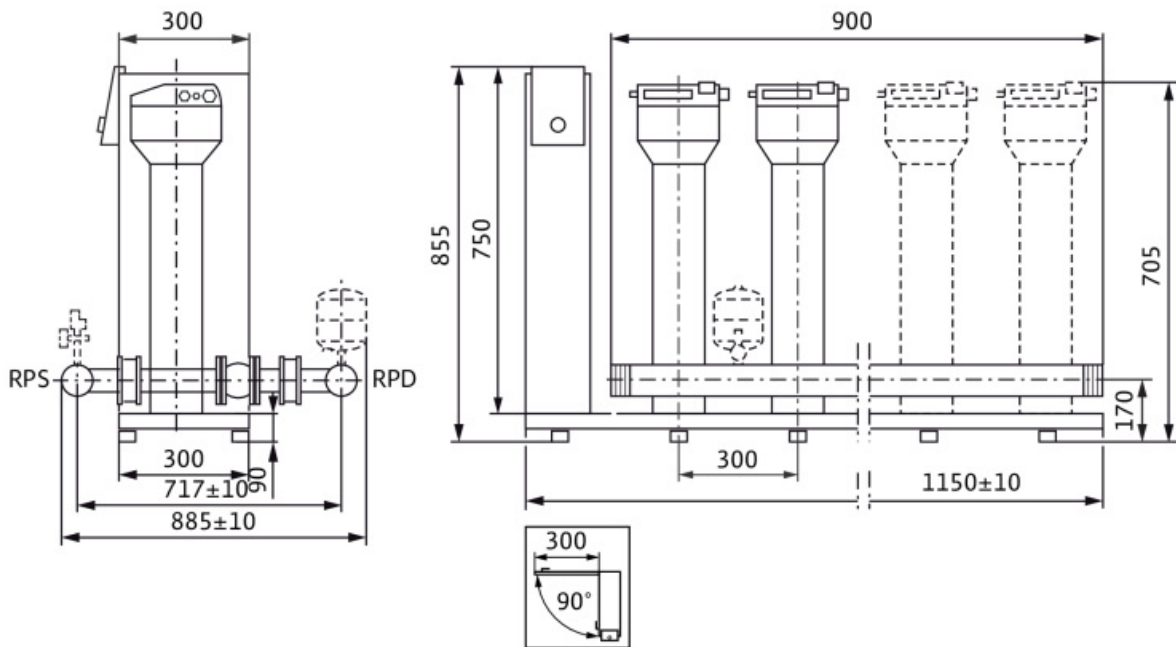
Dimensions

Multi-pump system
SiBoost Smart 3 MWISE 803

Project ID Untitled project 2025-03-04 01:04:54.425

Project name
Installation location
Customer pos. No.

Date 2025-03-04



Standard

Suction side R 3, PN 10/PN 16
Discharge side R 3, PN 10/PN 16

Dimensions mm

Name	Value	Name	Value	Name	Value	Name	Value
------	-------	------	-------	------	-------	------	-------