

Customer

Technical data

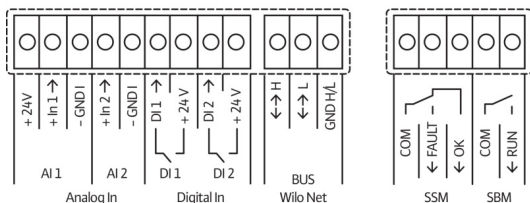
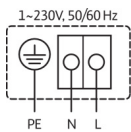
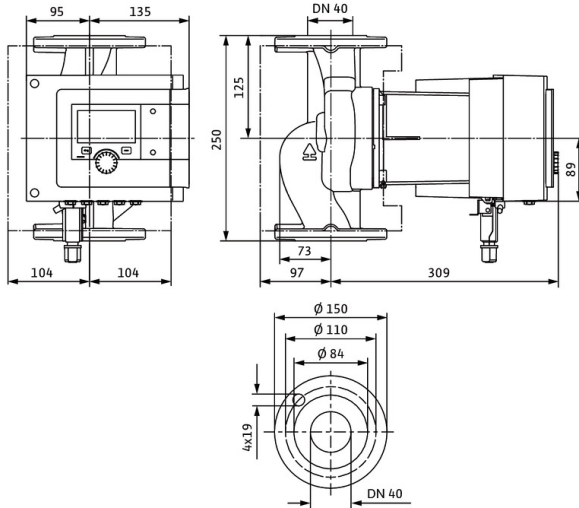
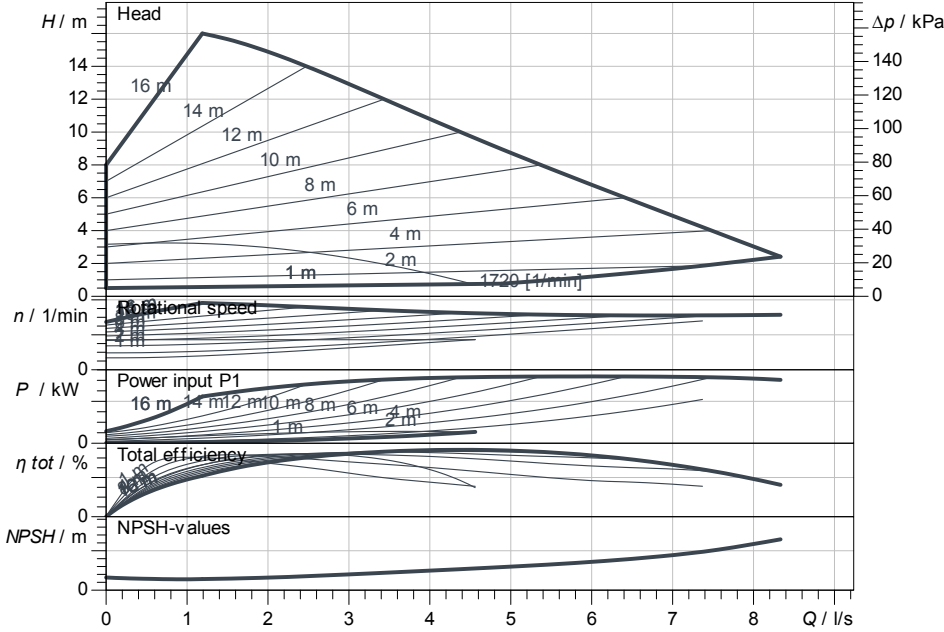
Glandless premium smart-pump Stratos MAXO 40/0,5-16 PN16

Project ID Untitled project 2025-03-04 09:37:01.987

Project name
Installation location
Customer pos. No.

Date 2025-03-04

Duty chart



Requested data

Flow	
Head	
Media	Water 100 %
Fluid temperature	20.00 °C
Density	998.30 kg/m ³
Kin. viscosity	1.00 mm ² /s

Hydraulic data (Duty point)

Flow	
Head	
Power input P1	

Product data

Glandless premium smart-pump	
Stratos MAXO 40/0,5-16 PN16	
Kind of operation	dp-v
Max. operating pressure	1,600 kPa
Fluid temperature	-10 °C ... +110 °C
Max. ambient temperature	40 °C

Motordata per Motor/Pump

Motor design	EC motor
Energy efficiency index (EEI)	≤ 0.17
Mains connection	1~ 230 V / 50 Hz
Permitted voltage tolerance	+ -10 %
Max. speed	3,850
Power input P1(max)	0.64 kW
Current consumption	2.8 A
Degree of protection	IPX4D
Insulation class	F
Emitted interference	EN 61800-3;2004+A1
Interference resistance	EN 61800-3;2004+A1
Threaded cable connection	

Fitting dimensions

Pipe connection on the suction side	DN 40, PN 16
Pipe connection (pressure side)	DN 40, PN 16
Port to Port	250 mm

Materials

Pump housing	5.1301/EN-GJL-250
Impeller	PPS-GF40
Shaft	1.4028, DLC-coated
Bearing	Carbon, antimony-impregnated

Information for order placements

Weight approx.	16.4 kg
Item number	2186273