

Customer

Technical data

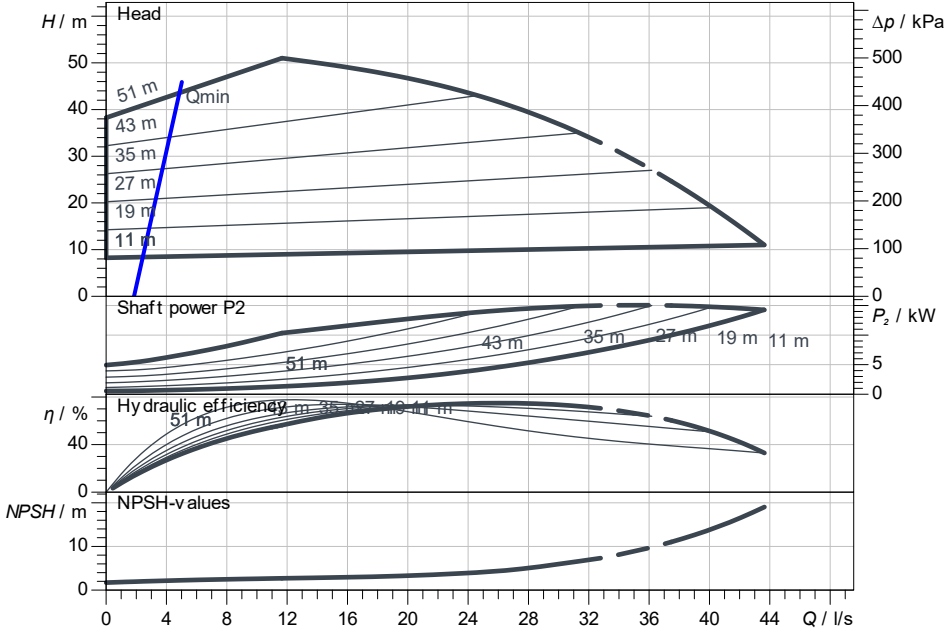
High-pressure multistage centrifugal pump MVIE 9502/1-3/16/E/3

Project ID: Untitled project 2025-03-03 23:00:00.495

Project name
Installation location
Customer pos. No.

Date: 2025-03-03

Duty chart

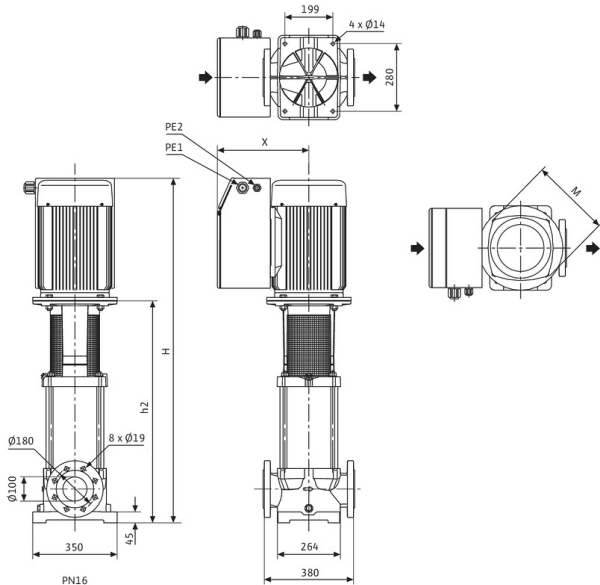


ISO 9906: 2012 3B

Dimensions

H	1,27
H2	783
ØM	217
X	386
X	386

mm



Requested data

Flow	
Head	
Media	Water 100 %
Fluid temperature	20.00 °C
Density	998.30 kg/m³
Kin. viscosity	1.00 mm²/s

Hydraulic data (Duty point)

Flow	
Head	
Shaft power P2	
Hydraulic efficiency	
NPSH	

Product data

High-pressure multistage centrifugal pump MVIE 9502/1-3/16/E/3	
Max. operating pressure	1,600 kPa
Inlet pressure max.	10 bar
Fluid temperature	-15 °C ... +120 °C
Max. ambient temperature	50 °C
Minimum efficiency index (MEI)	≥ 0.4

Motordata per Motor/Pump

Motor efficiency level	IE5
Mains connection	3~ 400 V / 50 Hz
Permitted voltage tolerance	
Rated speed	

Rated power P2	15.00 kW
Rated current	26.70 A
Power factor	
Service factor	0
Degree of protection	IP55
Insulation class	F
Motor protection	

Fitting dimensions

Pipe connection on the suction side	DN 100, PN 16
Pipe connection (pressure side)	DN 100, PN 16

Materials

Pump housing	5.1301/EN-GJL-250
Impeller	1.4408
Shaft	1.4057
Shaft seal	BQ7EGG
Gasket material	EPDM

Information for order placements

Weight approx.	171 kg
Item number	4256770