

Customer

Technical data

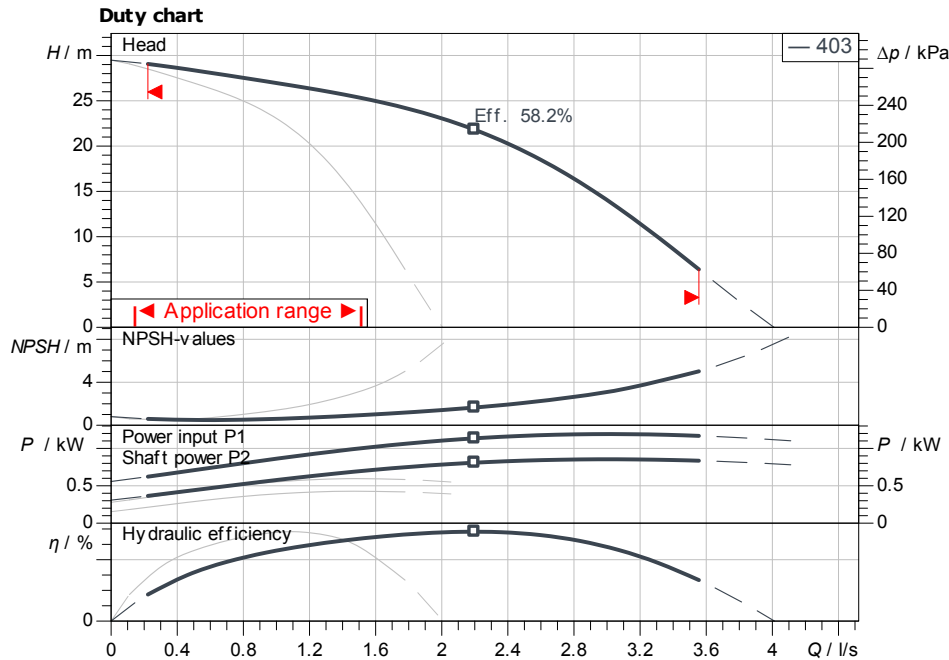
Multi-pump system

Isar MODH1-2CH1-L-403/SCe-T260

Project ID: Untitled project 2025-03-03 22:14:23.954

Project name
Installation location
Customer pos. No.

Date 2025-03-03



Requested data

Flow
Head
Media Water 100 %
Fluid temperature 20.00 °C
Density 998.30 kg/m³
Kin. viscosity 1.00 mm²/s

Hydraulic data (Duty point)

Flow
Head
Shaft power P2

Product data

Multi-pump system
Isar MODH1-2CH1-L-403/SCe-T260
Control With frequency converter
No. of pumps 2
Max. operating pressure 1,000 kPa
Inlet pressure max. 6 bar
Fluid temperature 3 °C ... +60 °C
Max. ambient temperature 40 °C
Diaphragm pressure vessel Yes
Low-water cut-out switchgear Yes

Control

Mains connection 1~ 220-230 V
50 Hz
Protection class of switchgear IP54

Motordata per Motor/Pump

Motor efficiency level IE2
Rated power P2 0.37 kW
Rated current 1.10 A
Efficiency 50% / 75% / 100% 65.1/70.4/69.5%
Protection class motor IP55
Insulation class F
Motor protection

Fitting dimensions

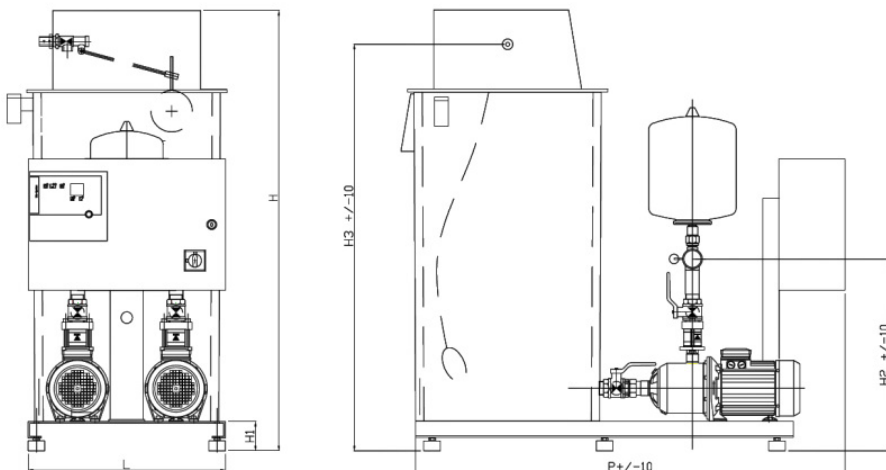
Pipe connection on the suction side Rp ¾, PN 6
Pipe connection (pressure side) R 1¼, PN 10
Overflow connection Ø 50
Gross volume 260 l

Materials

Pump housing 1.4301
Impeller 1.4301
Shaft 1.4301
Shaft seal BQ1E3GG
Gasket material EPDM
Pipework material 1.4307

Information for order placements

Weight approx. 80 kg
Item number 29993827



Dimensions

mm

DNd	R 1¼, PN	HS	400	P1	0
DNs	Rp ¾, PN	L	600	X	424
H	1,540	L1	250		
H1	90	LS	600		
H2	359	P	1,270		

Contact
E-mail
Phone

Customer

Contact
E-mail
Phone

Dimensions

Multi-pump system

Isar MODH1-2CH1-L-403/SCe-T260

Project ID

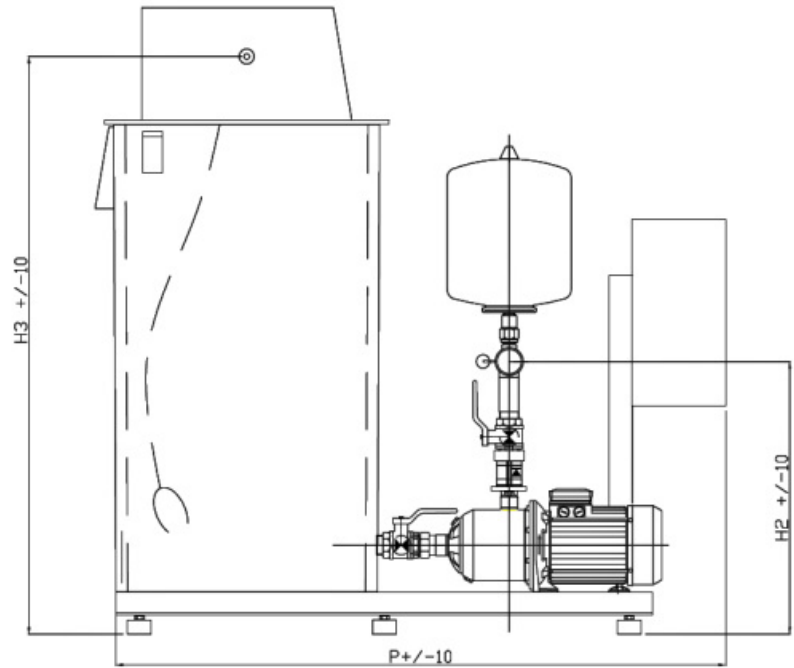
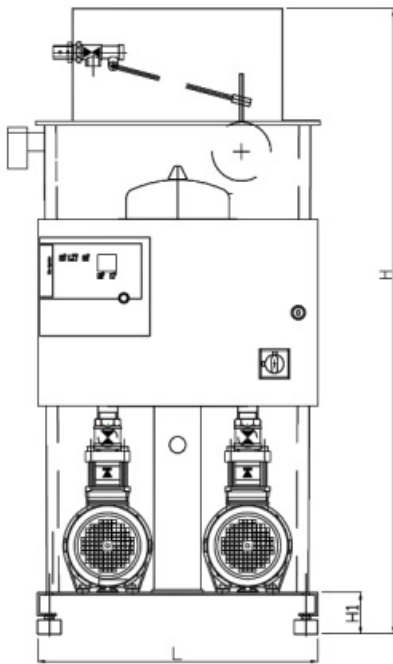
Untitled project 2025-03-03 22:14:23.954

Project name

Installation location

Customer pos. No.

Date 2025-03-03



Standard

Suction side Rp 3/4, PN 6/PN 10
Discharge side R 1 1/4, PN 6/PN 10

Dimensions mm

Name	Value	Name	Value	Name	Value	Name	Value
DNd	R 1 1/4, PN 10	L1	250				
DNs	Rp 3/4, PN 6	LS	600				
H	1,540	P	1,270				
H1	90	P1	0				
H2	359	X	424				
HS	400						
L	600						