

Customer

Technical data

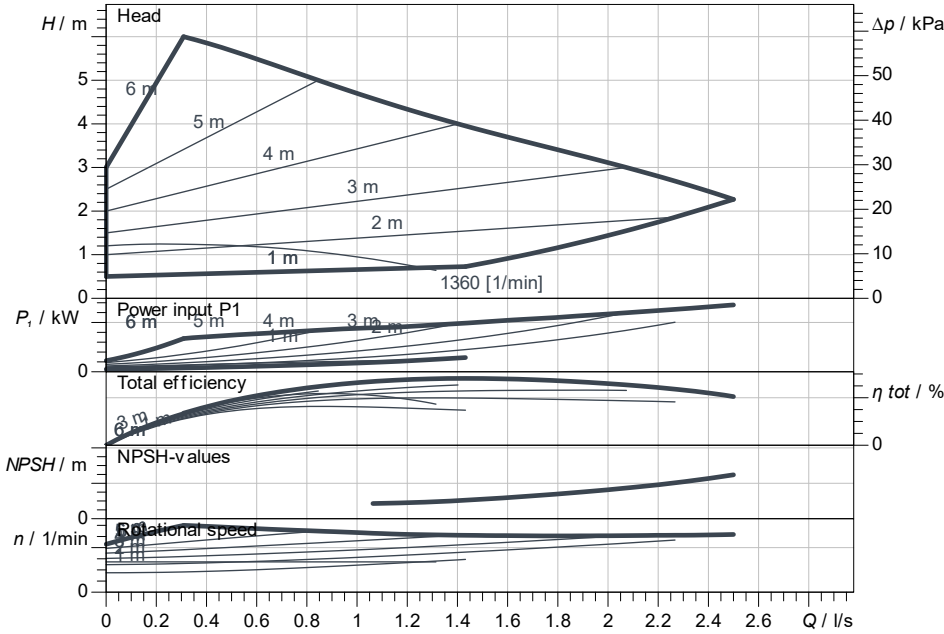
Glandless premium smart-pump Stratos MAXO 30/0,5-6 PN10

Project ID: Untitled project 2025-03-04 05:18:48.548

Project name
Installation location
Customer pos. No.

Date: 2025-03-04

Duty chart



Requested data

Flow	
Head	
Media	Water 100 %
Fluid temperature	20.00 °C
Density	998.30 kg/m ³
Kin. viscosity	1.00 mm ² /s

Hydraulic data (Duty point)

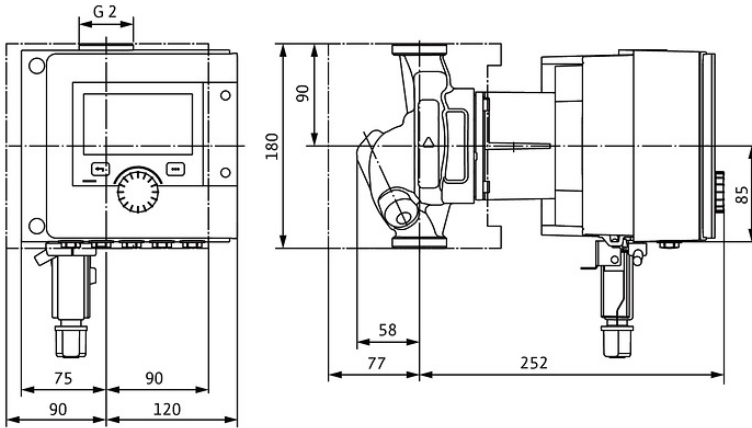
Flow	
Head	
Power input P1	

Product data

Glandless premium smart-pump Stratos MAXO 30/0,5-6 PN10	
Kind of operation	dp-v
Max. operating pressure	1,000 kPa
Fluid temperature	-10 °C ... +110 °C
Max. ambient temperature	40 °C

Motordata per Motor/Pump

Motor design	EC motor
Energy efficiency index (EEI)	≤ 0.18
Mains connection	1~ 230 V / 50 Hz
Permitted voltage tolerance	+/- 10 %
Max. speed	3,050
Power input P1(max)	0.14 kW
Current consumption	0.95 A
Degree of protection	IPX4D
Insulation class	F
Emitted interference	EN 61800-3;2004+A1
Interference resistance	EN 61800-3;2004+A1
Threaded cable connection	



Fitting dimensions

Pipe connection on the suction side	G 2, PN 10
Pipe connection (pressure side)	G 2, PN 10
Port to Port	180 mm

Materials

Pump housing	EN-GJL-200
Impeller	PPS-GF40
Shaft	1.4122
Bearing	Carbon-graphite

Information for order placements

Weight approx.	7.2 kg
Item number	2164573

