

Customer

Technical data

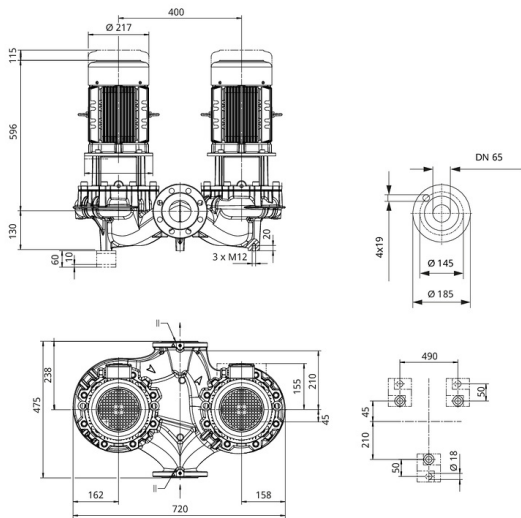
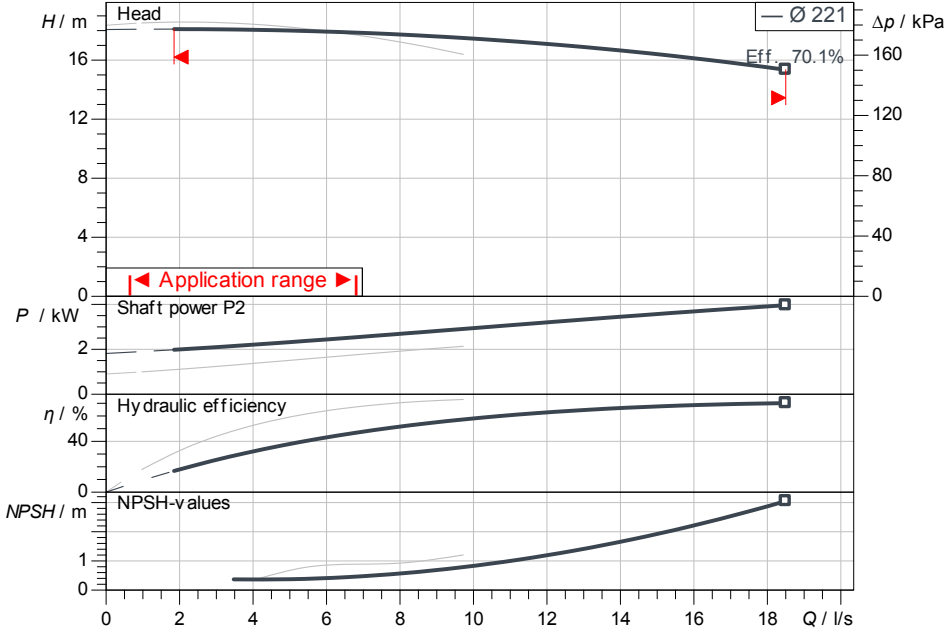
Glanded standard twin-head pump Atmos GIGA-D 65/200-2,2/4

Project ID Untitled project 2025-03-01 18:38:40.590

Project name
Installation location
Customer pos. No.

Date 2025-03-01

Duty chart



Requested data

| | |
|-------------------|--------------------------|
| Flow | |
| Head | |
| Media | Water 100 % |
| Fluid temperature | 20.00 °C |
| Density | 998.30 kg/m ³ |
| Kin. viscosity | 1.00 mm ² /s |

Hydraulic data (Duty point)

| | |
|----------------------|--|
| Flow | |
| Head | |
| Shaft power P2 | |
| Hydraulic efficiency | |
| NPSH | |

Product data

| | |
|---------------------------------|--------------------|
| Glanded standard twin-head pump | |
| Atmos GIGA-D 65/200-2,2/4 | |
| Max. operating pressure | 1,600 kPa |
| Fluid temperature | -20 °C ... +140 °C |
| Max. ambient temperature | 40 °C |
| Minimum efficiency index (MEI) | ≥ 0.4 |

Motordata per Motor/Pump

| | |
|-----------------------------|------------------|
| Motor efficiency level | IE3 |
| Mains connection | 3~ 400 V / 50 Hz |
| Permitted voltage tolerance | +/- 10 % |
| Rated speed | 1,450 1/min |
| Rated power P2 | 2.20 kW |
| Rated current | 5.43 A |
| Power factor | 0.78 |
| Efficiency | 50% / 75% / 100% |
| Degree of protection | IP55 |
| Insulation class | F |
| Motor protection | No |

Fitting dimensions

| | |
|-------------------------------------|--------------|
| Pipe connection on the suction side | DN 65, PN 16 |
| Pipe connection (pressure side) | DN 65, PN 16 |
| Port to Port | 475 mm |

Materials

| | |
|--------------|--|
| Pump housing | 5.1301, EN-GJL-250 cataphoretic-coated |
| Impeller | EN-GJL-200 |
| Lantern | 5.1301/EN-GJL-250 |
| Shaft | 1.4122 |
| Shaft seal | AQ1EGG |

Information for order placements

| | |
|----------------|---------|
| Weight approx. | 221 kg |
| Item number | 2225380 |

