

Customer

Technical data

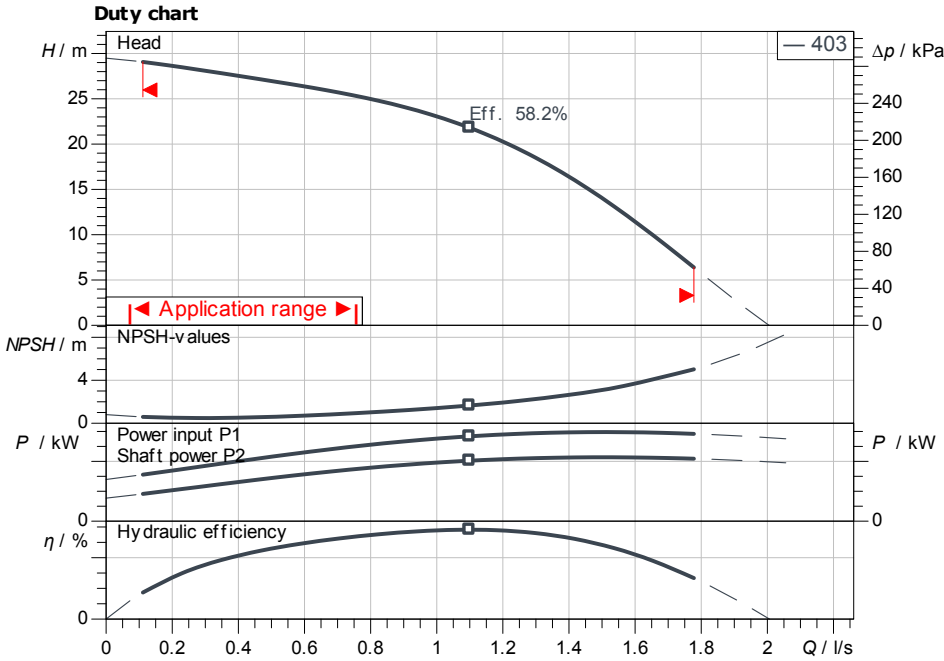
Single-pump system

Isar MODH1-1CH1-L-403/EC

Project ID Untitled project 2025-03-03 22:14:23.954

Project name
Installation location
Customer pos. No.

Date 2025-03-03



Requested data

Flow
Head
Media Water 100 %
Fluid temperature 20.00 °C
Density 998.30 kg/m³
Kin. viscosity 1.00 mm²/s

Hydraulic data (Duty point)

Flow
Head
Shaft power P2

Product data

Single-pump system
Isar MODH1-1CH1-L-403/EC
Control Without frequency conversion
No. of pumps 1
Max. operating pressure 1,000 kPa
Inlet pressure max. 6 bar
Fluid temperature 3 °C ... +60 °C
Max. ambient temperature 40 °C
Protection class motor IP55
Protection class of switchgear IP54
Diaphragm pressure vessel Yes
Low-water cut-out switchgear No

Motordata per Motor/Pump

Motor efficiency level IE2
Mains connection 3~ 400 V / 50 Hz
Permitted voltage tolerance +-10 %
Max. speed 2,900 1/min
Rated power P2 0.37 kW
Rated current 1.10 A

Efficiency 65.1/70.4/69.5%
Insulation class F
Motor protection

Fitting dimensions

Pipe connection on the suction side G 1 1/4, PN 10
Pipe connection (pressure side) G 1 1/4, PN 10

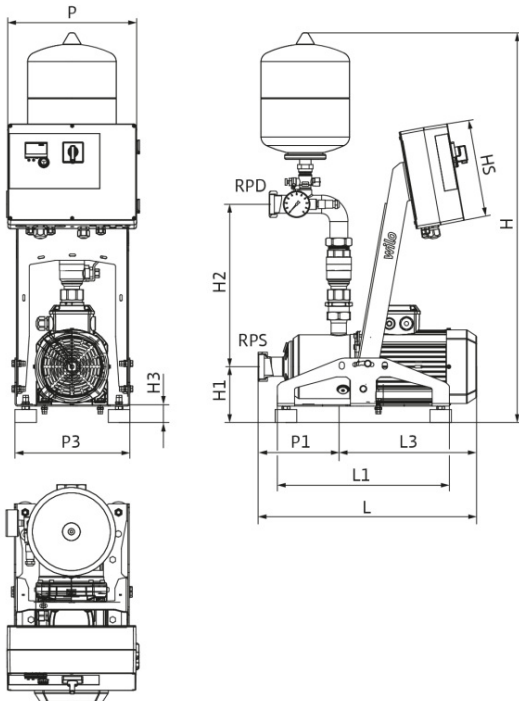
Materials

Pump housing 1.4301

Impeller 1.4301
Shaft 1.4301
Shaft seal BQ1E3GG
Gasket material EPDM
Pipework material 1.4301/CW617N

Information for order placements

Weight approx. 25 kg
Item number 2551902



Dimensions mm

DNd	G 1 1/4, PN	H3	40	P	300
DNs	G 1 1/4, PN	HS	230	P1	106
H	864	L	368	P3	267
H1	130	L3	261		
H2	342	LS	110		

Contact
E-mail
Phone

Customer

Contact
E-mail
Phone

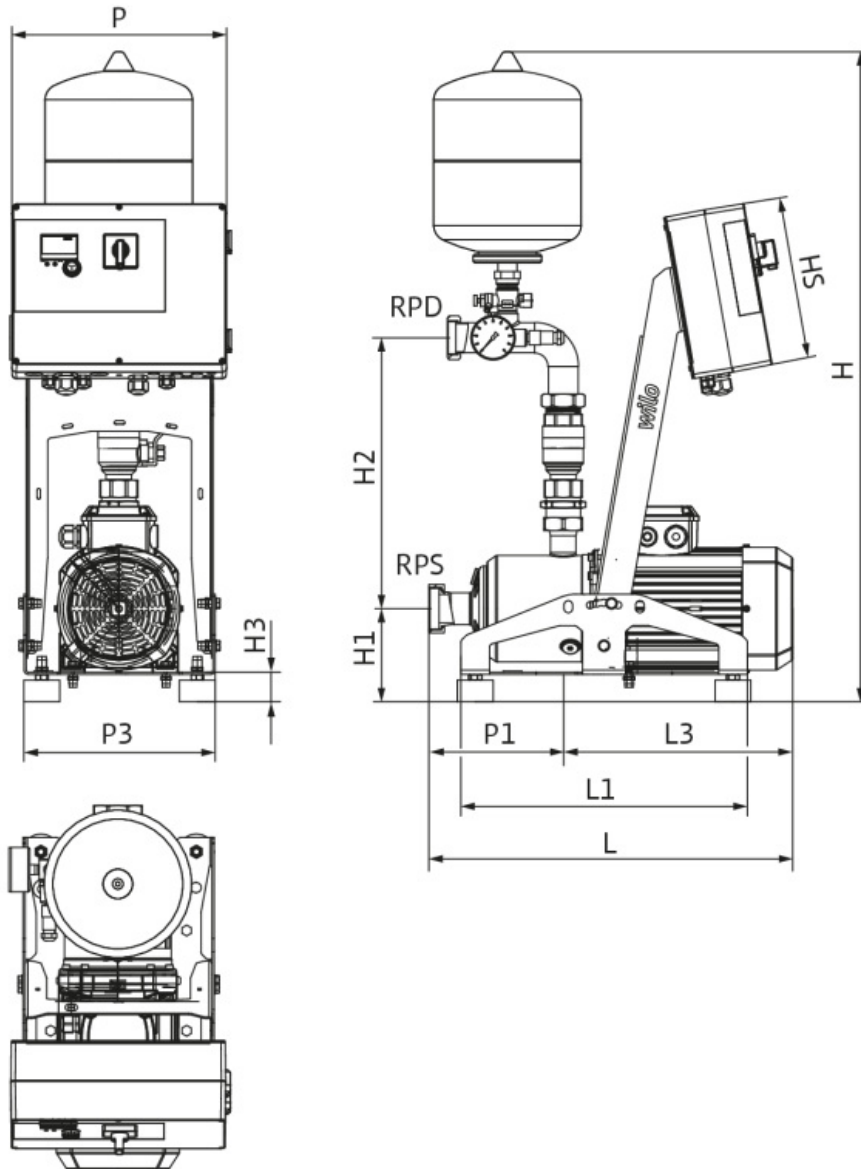
Dimensions

Single-pump system
Isar MODH1-1CH1-L-403/EC

Project ID Untitled project 2025-03-03 22:14:23.954

Project name
Installation location
Customer pos. No.

Date 2025-03-03



Standard

Suction side G 1 ¼, PN 10
Discharge side G 1 ¼, PN 10

Dimensions mm

Name	Value	Name	Value	Name	Value	Name	Value
DNd	G 1 ¼, PN 10	L	368				
DNs	G 1 ¼, PN 10	L3	261				
H	864	LS	110				
H1	130	P	300				
H2	342	P1	106				
H3	40	P3	267				
HS	230						