

**Customer**

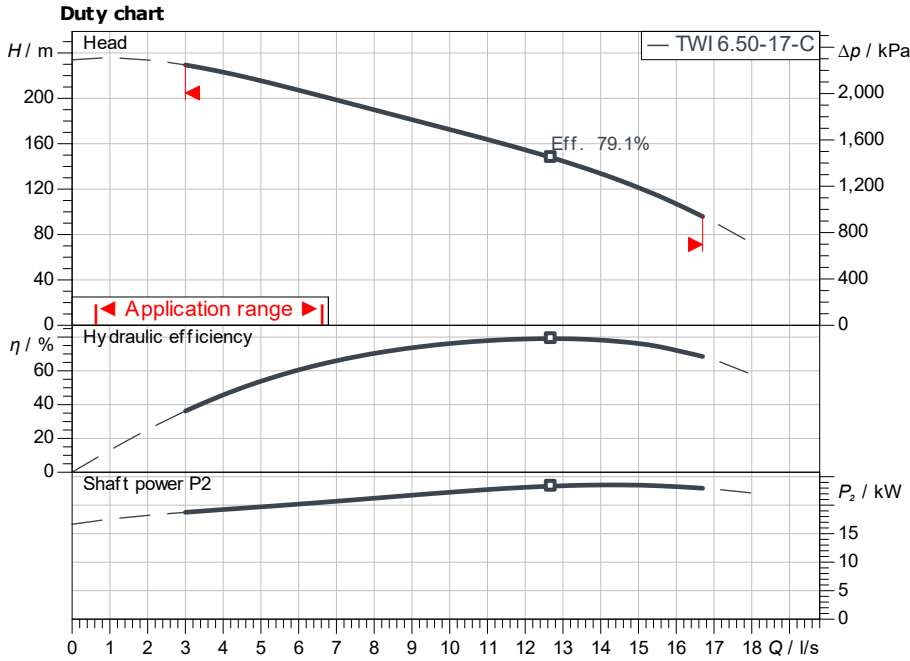
## Technical data

### Submersible pump Sub TWI 6.50-17-C

Project ID                      Untitled project 2025-03-17 07:47:37.014

Project name  
Installation location  
Customer pos. No.

Date                      2025-03-17



**Requested data**

Flow  
Head  
Media                      Water 100 %  
Fluid temperature                      20.00 °C  
Density                      998.30 kg/m<sup>3</sup>  
Kin. viscosity                      1.00 mm<sup>2</sup>/s

**Hydraulic data (Duty point)**

Flow  
Head  
Shaft power  $P_2$   
Hydraulic efficiency  
Power input  $P_1$

**Product data**

Submersible pump  
Sub TWI 6.50-17-C  
Max. operating pressure                      4,000 kPa  
Fluid temperature                      3 °C ... +30 °C  
Minimum efficiency index (MEI)                       $\geq 0.4$   
Max. pump diameter                      152 mm

**Motordata per Motor/Pump**

Mains connection                      3~400 V / 50 Hz  
Type of motor                      Submersible motor

Activation type                      Direct On Line (DOL)  
Min. flow at the motor                      0.1 m/s  
Motor diameter                      136.7 mm  
Permitted voltage tolerance                      +5 %  
Nominal speed                      2,860 1/min  
Rated power  $P_2$                       30.00 kW  
Rated current                      65.00 A  
Power factor                      0.81  
Degree of protection                      IP68  
Insulation class                      F

**Cable**

Length of connecting cable                      4 m  
Cable type                      3x8,4 + 1G8,4

**Fitting dimensions**

Discharge size                      Rp 3  
Flange standard                      -

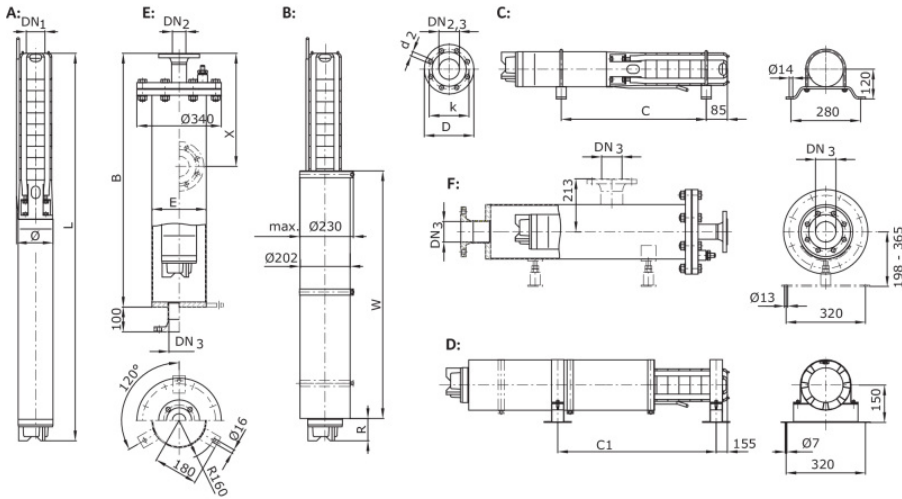
**Materials**

Pump housing                      1.4301  
Motor housing                      5.1301/EN-GJL-250  
Shaft                      1.4057  
Impeller                      1.4301

**Information for order placements**

Weight approx.                      127 kg  
Item number                      6075267

**Approval**



**Dimensions**

Dimensions		mm	
B	1	L	3,228
c	1	W	1,100
C1	2,389		
e	1		