

**Customer**

## Technical data

### Multi-pump system

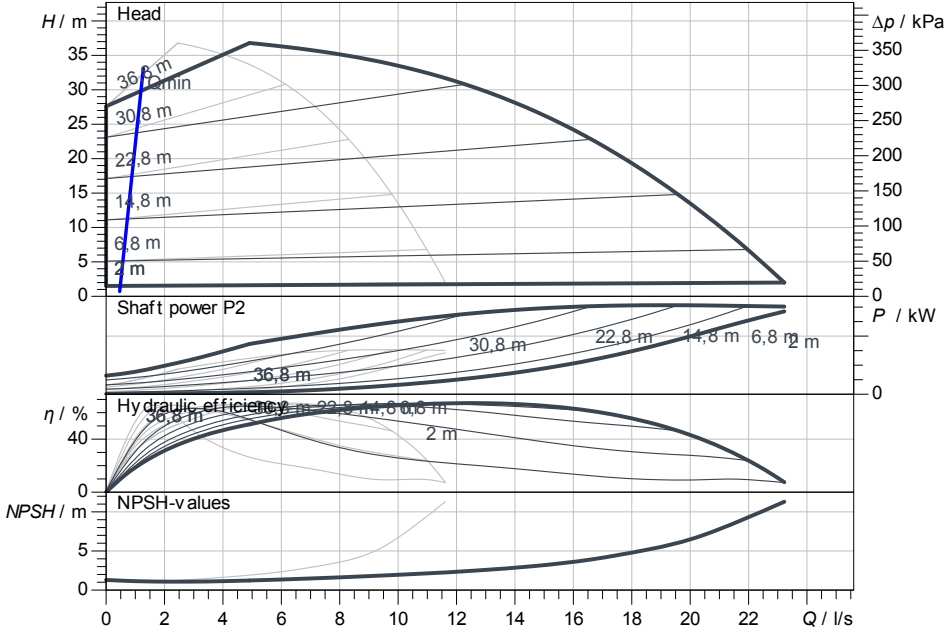
### SiBoost2.0 Smart 2 Helix VE 2202/3kW

Project ID: Untitled project 2025-03-31 01:18:10.632

Project name  
Installation location  
Customer pos. No.

Date: 2025-03-31

#### Duty chart



#### Requested data

Flow	
Head	
Media	Water 100 %
Fluid temperature	20.00 °C
Density	998.30 kg/m <sup>3</sup>
Kin. viscosity	1.00 mm <sup>2</sup> /s

#### Hydraulic data (Duty point)

Flow	
Head	
Shaft power P2	

#### Product data

Multi-pump system	
SiBoost2.0 Smart 2 Helix VE 2202/3kW	
Control	With frequency converter
No. of pumps	2
Max. operating pressure	1,600 kPa
Inlet pressure max.	10 bar
Fluid temperature	3 °C ... +50 °C
Max. ambient temperature	40 °C
Protection class motor	IP55
Protection class of switchgear	IP54
Diaphragm pressure vessel	Yes
Low-water cut-out switchgear	Yes

#### Motordata per Motor/Pump

Motor efficiency level	IE5
Mains connection	3~ 400 V / 60 Hz
Permitted voltage tolerance	400/50: +/- 10%, 380/60
Max. speed	
Rated power P2	3.00 kW
Rated current	5.30 A

Efficiency	0% / 75% / 100%
Insulation class	F
Motor protection	Yes

#### Fitting dimensions

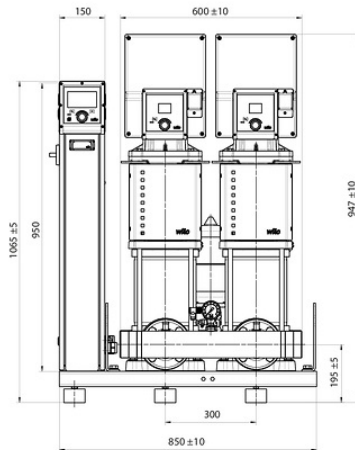
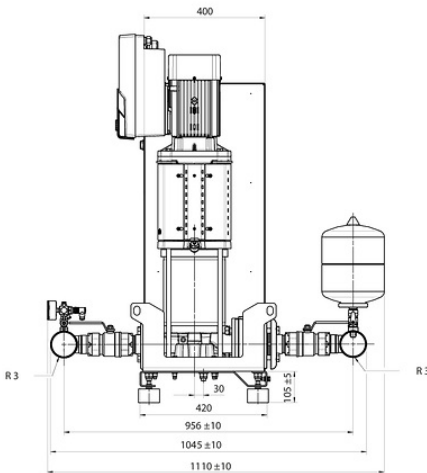
Pipe connection on the suction side	R 3, PN 10
Pipe connection (pressure side)	R 3, PN 16

#### Materials

Pump housing	1.4301
Impeller	1.4307
Shaft	1.4057
Shaft seal	BQ7EGG
Gasket material	EPDM
Pipework material	1.4307

#### Information for order placements

Weight approx.	233 kg
Item number	7000621



#### Dimensions mm

L0 350

