

Customer

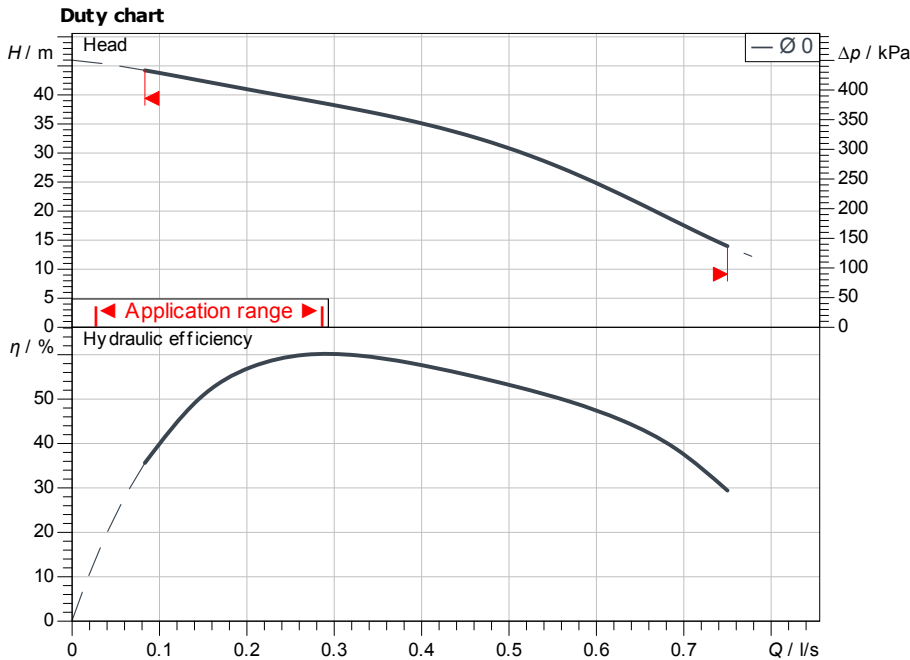
Technical data

Submersible pump TWU 3.01-15-EM-PnP(1/FC)

Project ID Untitled project 2025-03-30 21:50:34.688

Project name
Installation location
Customer pos. No.

Date 2025-03-30



Requested data

| | |
|-------------------|--------------------------|
| Flow | |
| Head | |
| Media | Water 100 % |
| Fluid temperature | 20.00 °C |
| Density | 998.30 kg/m ³ |
| Kin. viscosity | 1.00 mm ² /s |

Hydraulic data (Duty point)

| | |
|----------------------|--|
| Flow | |
| Head | |
| Shaft power P2 | |
| Hydraulic efficiency | |
| Power input P1 | |

Product data

| | |
|--------------------------------|-----------------|
| Submersible pump | |
| TWU 3.01-15-EM-PnP(1/FC) | |
| Max. operating pressure | 500 kPa |
| Fluid temperature | 3 °C ... +35 °C |
| Minimum efficiency index (MEI) | - |
| Max. pump diameter | |

Motordata per Motor/Pump

| | |
|------------------|-----------------|
| Mains connection | 1~230 V / 50 Hz |
| Type of motor | |

| | |
|-----------------------------|----------------------|
| Activation type | Direct On Line (DOL) |
| Min. flow at the motor | 0.08 m/s |
| Motor diameter | 72 mm |
| Permitted voltage tolerance | +/-10 % |
| Nominal speed | 2,900 1/min |
| Rated power P2 | 0.37 kW |
| Rated current | 3.75 A |
| Power factor | |
| Degree of protection | IP58 |
| Insulation class | F |

Cable

| | |
|----------------------------|-------|
| Length of connecting cable | 30 m |
| Cable type | 4G1,5 |

Fitting dimensions

| | |
|-----------------|------|
| Discharge size | Rp 1 |
| Flange standard | - |

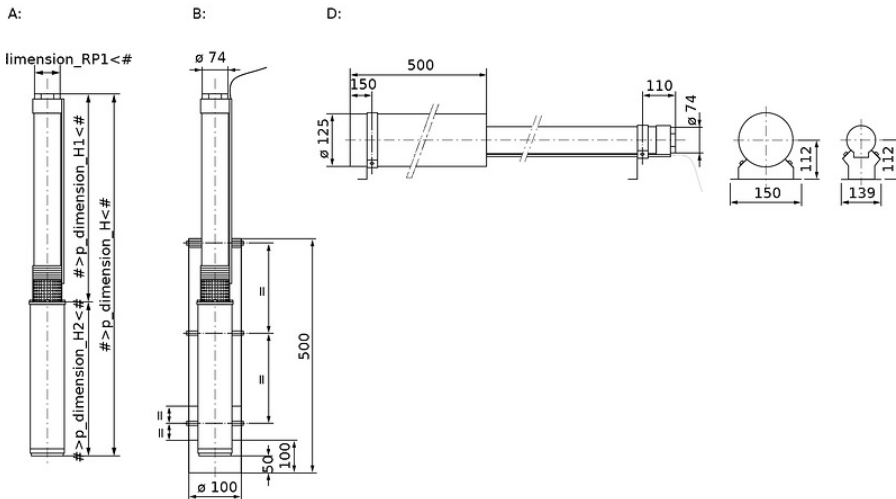
Materials

| | |
|---------------|--------|
| Pump housing | 1.4301 |
| Motor housing | 1.4301 |
| Shaft | 1.4104 |
| Impeller | PC |

Information for order placements

| | |
|----------------|---------|
| Weight approx. | 9.3 kg |
| Item number | 4091647 |

Approval



Dimensions

mm

| | |
|----|-----|
| H | 957 |
| H1 | 580 |
| H2 | 377 |