

Customer

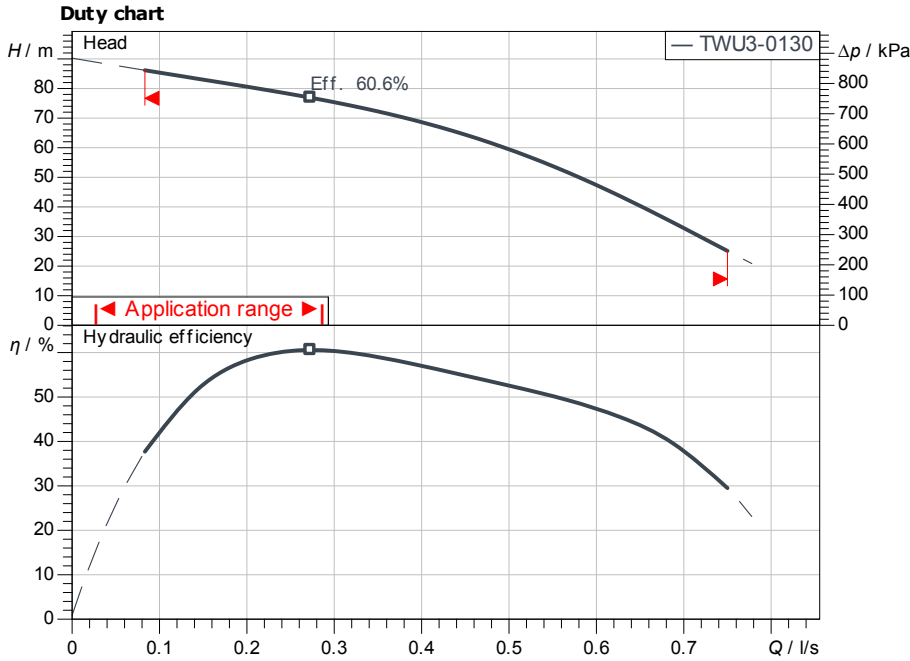
Technical data

Submersible pump Sub TWU 3-0130-EM

Project ID Untitled project 2025-03-30 21:50:34.688

Project name
Installation location
Customer pos. No.

Date 2025-03-30



Requested data

Flow	
Head	
Media	Water 100 %
Fluid temperature	20.00 °C
Density	998.30 kg/m ³
Kin. viscosity	1.00 mm ² /s

Hydraulic data (Duty point)

Flow	
Head	
Shaft power P2	
Hydraulic efficiency	
Power input P1	

Product data

Submersible pump	
Sub TWU 3-0130-EM	
Max. operating pressure	970 kPa
Fluid temperature	3 °C ... +35 °C
Minimum efficiency index (MEI)	-
Max. pump diameter	

Motordata per Motor/Pump

Mains connection	1~230 V / 50 Hz
Type of motor	Submersible motor
Activation type	Direct On Line (DOL)
Min. flow at the motor	0.08 m/s
Motor diameter	72 mm
Permitted voltage tolerance	+10 %
Nominal speed	2,800 1/min
Rated power P2	0.75 kW
Rated current	5.85 A
Power factor	
Degree of protection	IP58
Insulation class	F

Cable

Length of connecting cable	1.75 m
Cable type	4G1,5

Fitting dimensions

Discharge size	Rp 1
Flange standard	-

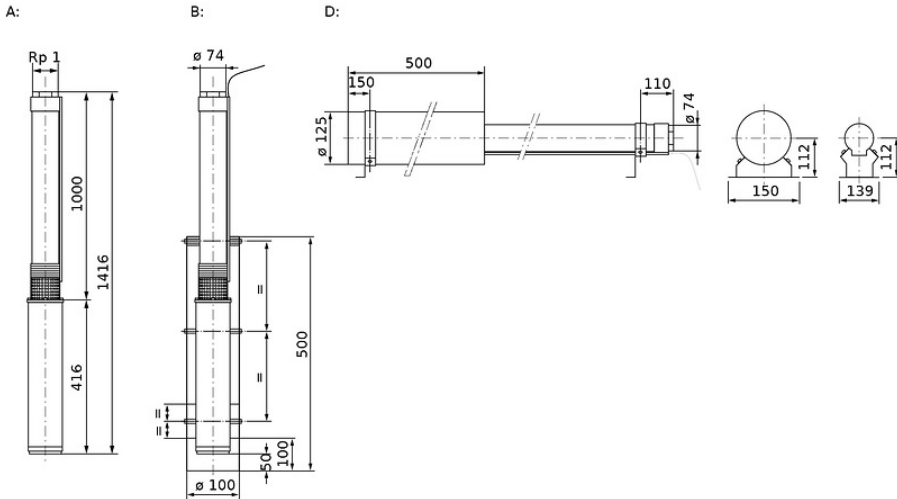
Materials

Pump housing	1.4301
Motor housing	1.4301
Shaft	1.4104
Impeller	PC

Information for order placements

Weight approx.	12.4 kg
Item number	4090891

Approval



Dimensions mm