

Customer

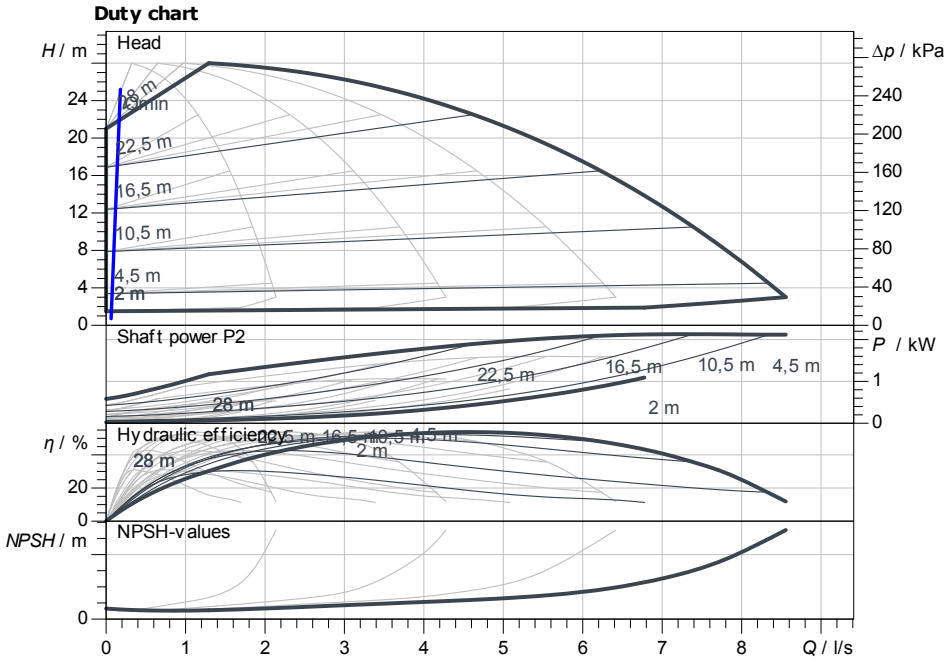
Technical data

Multi-pump system SiBoost2.0 Smart 4 Helix VE 403

Project ID: Untitled project 2025-03-31 01:18:10.632

Project name
Installation location
Customer pos. No.

Date: 2025-03-31



Requested data

Flow	
Head	
Media	Water 100 %
Fluid temperature	20.00 °C
Density	998.30 kg/m ³
Kin. viscosity	1.00 mm ² /s

Hydraulic data (Duty point)

Flow	
Head	
Shaft power P2	

Product data

Multi-pump system	
SiBoost2.0 Smart 4 Helix VE 403	
Control	With frequency converter
No. of pumps	4
Max. operating pressure	1,600 kPa
Inlet pressure max.	10 bar
Fluid temperature	3 °C ... +50 °C
Max. ambient temperature	40 °C
Protection class motor	IP55
Protection class of switchgear	IP54
Diaphragm pressure vessel	Yes
Low-water cut-out switchgear	Yes

Motordata per Motor/Pump

Motor efficiency level	IE5
Mains connection	3~ 400 V / 60 Hz
Permitted voltage tolerance	400/50: +/- 10%, 380/60
Max. speed	
Rated power P2	0.55 kW
Rated current	1.20 A

Efficiency	0/0/85.6%
50% / 75% / 100%	
Insulation class	F
Motor protection	Yes

Fitting dimensions

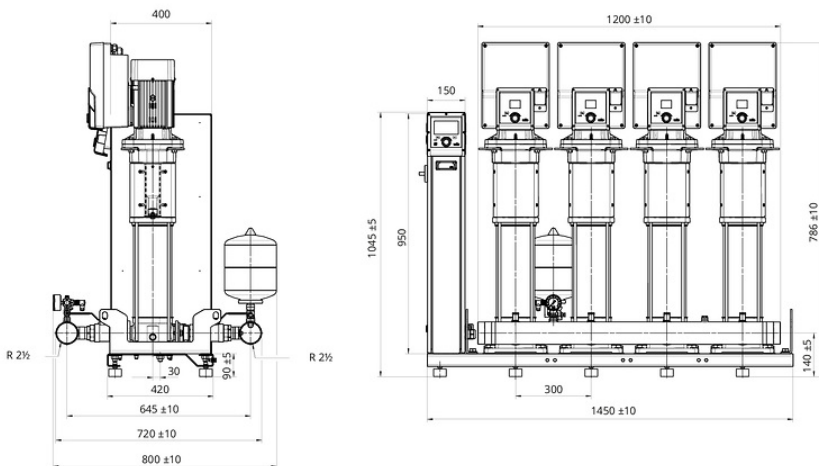
Pipe connection on the suction side	R 2½, PN 10
Pipe connection (pressure side)	R 2½, PN 16

Materials

Pump housing	1.4301
Impeller	1.4307
Shaft	1.4301
Shaft seal	BQ7EGG
Gasket material	EPDM
Pipework material	1.4307

Information for order placements

Weight approx.	208 kg
Item number	7000554



Dimensions mm

L0 350

Contact
E-mail
Phone

Customer

Contact
E-mail
Phone

Dimensions

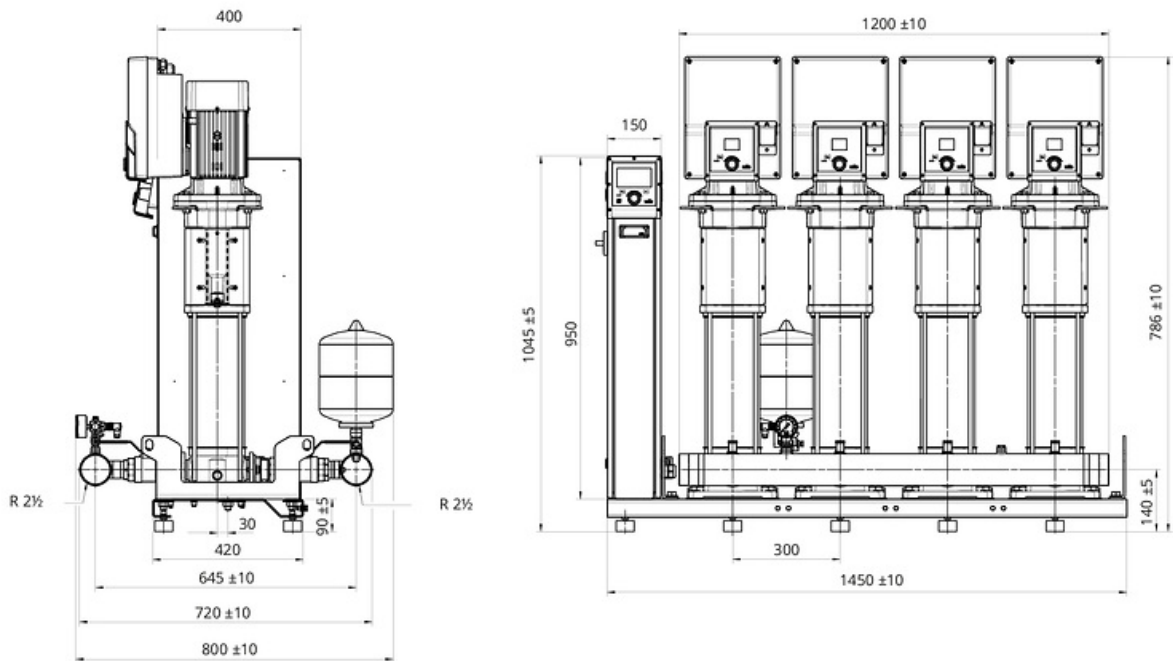
Multi-pump system

SiBoost2.0 Smart 4 Helix VE 403

Project ID Untitled project 2025-03-31 01:18:10.632

Project name
Installation location
Customer pos. No.

Date 2025-03-31



Standard

Suction side R 2 ½, PN 10/PN 16
Discharge side R 2 ½, PN 10/PN 16

Dimensions mm

Name	Value	Name	Value	Name	Value	Name	Value
L0	350						