

**Customer**

## Technical data

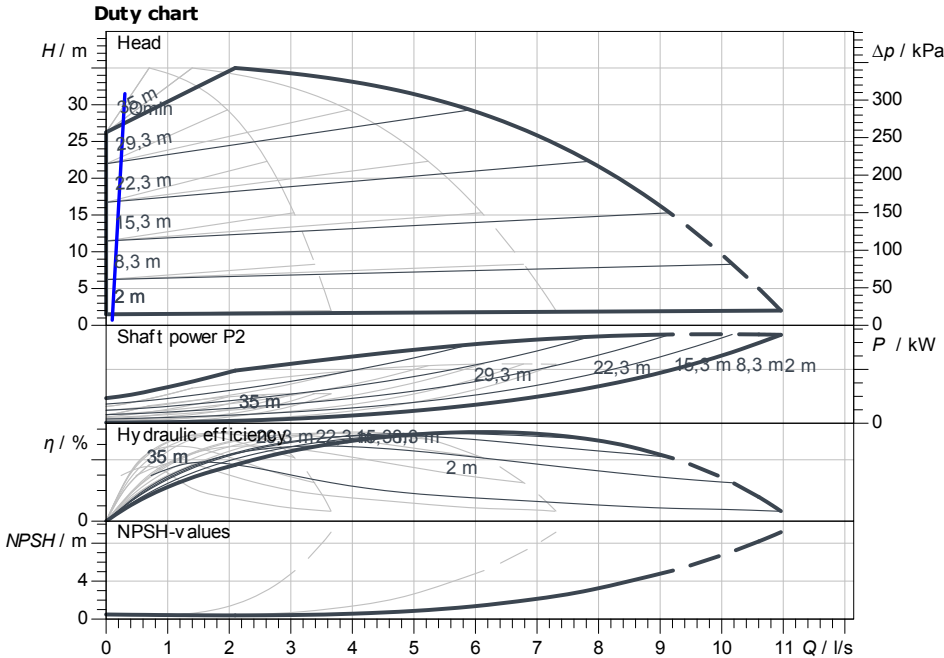
### Multi-pump system

### SiBoost2.0 Smart 3 Helix VE 603

Project ID                      Untitled project 2025-03-31 01:18:10.632

Project name  
Installation location  
Customer pos. No.

Date                      2025-03-31



**Requested data**

Flow  
Head  
Media                      Water 100 %  
Fluid temperature                      20.00 °C  
Density                      998.30 kg/m<sup>3</sup>  
Kin. viscosity                      1.00 mm<sup>2</sup>/s

**Hydraulic data (Duty point)**

Flow  
Head  
Shaft power P2

**Product data**

Multi-pump system  
SiBoost2.0 Smart 3 Helix VE 603  
Control                      With frequency converter  
No. of pumps                      3  
Max. operating pressure                      1,600 kPa  
Inlet pressure max.                      10 bar  
Fluid temperature                      3 °C ... +50 °C  
Max. ambient temperature                      40 °C  
Protection class motor                      IP55  
Protection class of switchgear                      IP54  
Diaphragm pressure vessel                      Yes  
Low-water cut-out switchgear                      Yes

**Motordata per Motor/Pump**

Motor efficiency level                      IE5  
Mains connection                      3~ 400 V / 60 Hz  
Permitted voltage tolerance                      400/50: +/- 10%, 380/60  
Max. speed  
Rated power P2                      1.10 kW  
Rated current                      2.00 A

Efficiency                      50% / 75% / 100%                      0/0/93.9%  
Insulation class                      F  
Motor protection                      Yes

**Fitting dimensions**

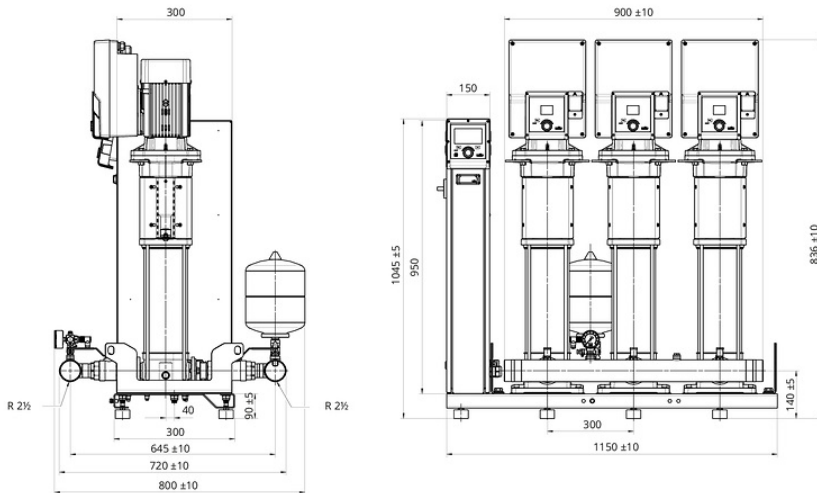
Pipe connection on the suction side                      R 2½, PN 10  
Pipe connection (pressure side)                      R 2½, PN 16

**Materials**

Pump housing                      1.4301  
Impeller                      1.4307  
Shaft                      1.4301  
Shaft seal                      BQ7EGG  
Gasket material                      EPDM  
Pipework material                      1.4307

**Information for order placements**

Weight approx.                      163 kg  
Item number                      7000571



**Dimensions**                      mm

L0                      350

