



Contact  
E-mail  
Phone

Customer

Contact  
E-mail  
Phone

## Technical data

### FA 10.82E

With motor

### FK 202-4/17

Project ID                      Untitled project 2025-03-30 11:34:50.544  
Project name  
Installation location  
Customer pos. No.

Date    2025-03-30

#### Pump

Pump type	FA 10.82E
Installation type	Suspension device 1
	DN100S/2RK
Free passage	100 mm
Nominal speed	1,450 1/min
Rated frequency	50 Hz
Impeller type	Single-channel
Impeller construction	Closed

#### Impeller size

max. possible	245 mm
min. possible	215 mm
standard	245 mm
designed	245 mm

#### Suction port

Rated diameter	DN150
Pressure rating	PN10
Standard	EN1092-2-S

#### Discharge port

Rated diameter	DN100
Pressure rating	PN10
Standard	EN1092-2-D

#### Weights

Weight	max. 57 kg
Weight of motor	119 kg
Weight of unit	max. 176 kg

#### Materials

Pump housing	EN-GJL-250
Stationary wear ring	1.4308
Impeller	EN-GJL-250
Mobile wear ring	1.4462/1.4470

#### Motor

Motor name	FK 202-4/17
Number of poles	4
Rated power	11.5 kW
Rated speed	1415 1/min
Power input with rated power	14.6 kW
Rated voltage	400 ~3 V
Current input with rated power	24.2 A
Efficiency with rated power	79 %
cos phi with rated power	0.87
cos phi with starting	
Rated frequency	50 Hz
Operation type wet	S1
Operation type dry	S1
Starting current, direct starting	98 A
Starting current, star-delta	32.7 A
Starting torque	125 Nm
Inertia moment	0.0344 kg m <sup>2</sup>
Degree of protection	IP 68
Sel. explosion protection	
Ex-designation	
Ex-number	
Motor connection cable	4x4 + 2x1,5 NSSHÖU
Max. fluid temperature	60 °C
Starts per hour max.	15

#### Duty point data

Volume flow	
Head	
Shaft power P <sub>2</sub>	
Hydr. efficiency η <sub>hyd.</sub>	
Power input P <sub>1</sub>	
Fluid	Water
Required pump NPSH	
Rotational speed	1,437 1/min
Total efficiency	$= \frac{P_2 * \text{Hydr. efficiency } \eta_{\text{hyd.}}}{P_1}$



Contact  
E-mail  
Phone

Customer

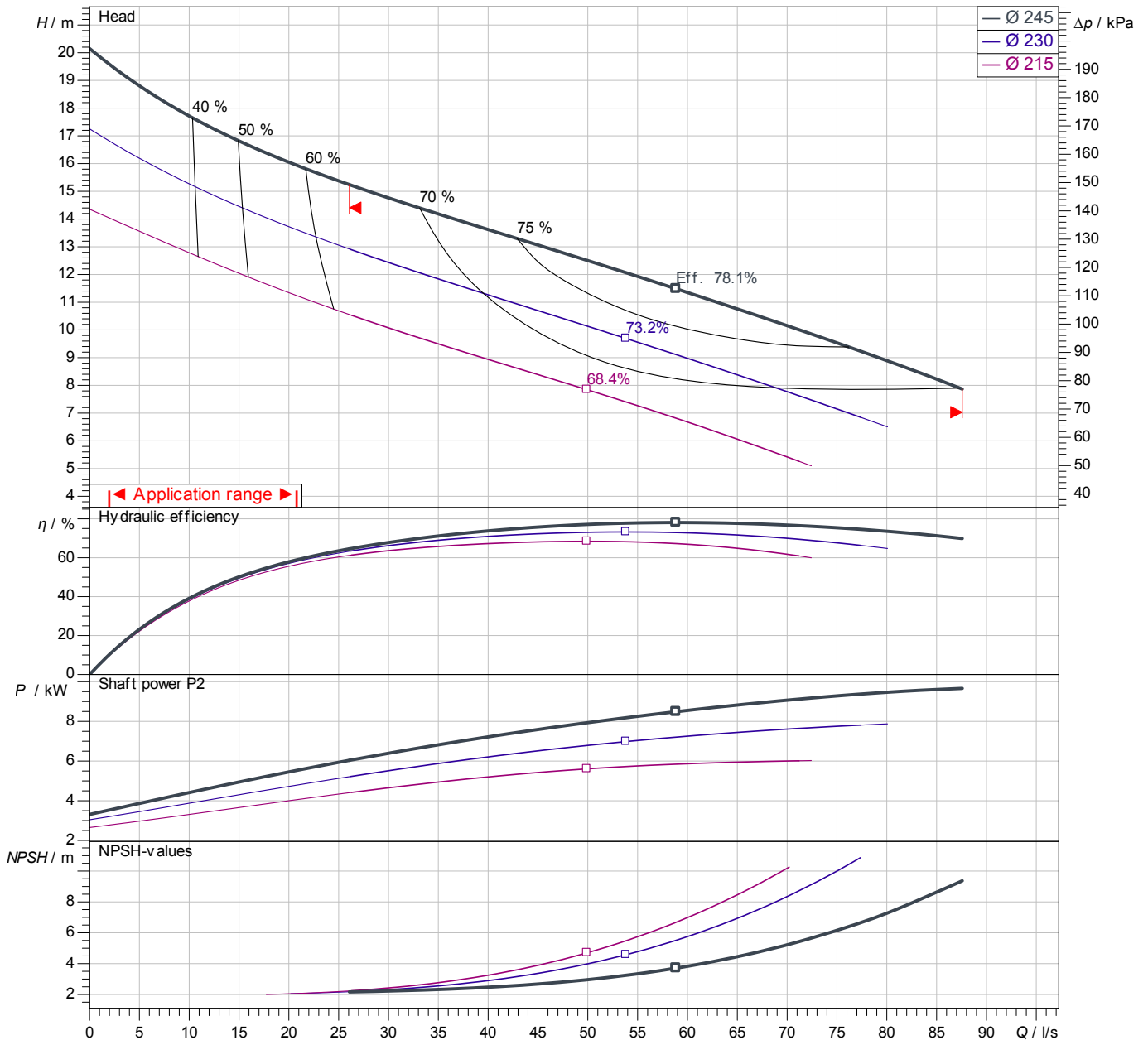
Contact  
E-mail  
Phone

## Performance curves

**FA 10.82E**  
With motor  
**FK 202-4/17**

Project ID: Untitled project 2025-03-30 11:34:50.544  
Project name  
Installation location  
Customer pos. No.

Date 2025-03-30



Power data referred to: Water; 20°C; 998.3kg/m<sup>3</sup>; 1.005mm<sup>2</sup>/s  
Tolerance as per ISO 9906 / Annex A.2

### Pump

Impeller Ø	designed	245 mm
Nominal speed		1,415 1/min
Frequency		50 Hz
Impeller type		Single-channel

### Motor

Rated power	11.5 kW
Sel. explosion protection	

### Duty point data

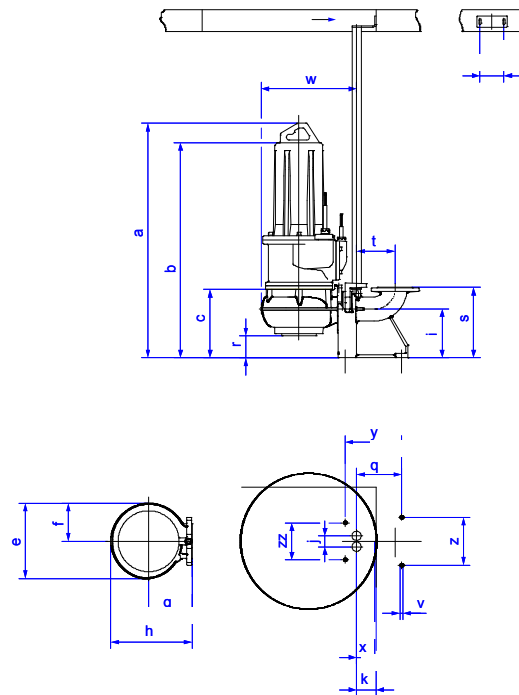
Volume flow	
Head	
Shaft power P2	
Hydr. efficiency η hyd.	
Power input P1	
Required pump NPSH	
Rotational speed	1437 1/min

## Dimensions

**FA 10.82E**  
With motor  
**FK 202-4/17**

Project ID                      Untitled project 2025-03-30 11:34:50.544  
Project name  
Installation location  
Customer pos. No.

Date    2025-03-30



### Dimensions

Name	Value	Name	Value
a	1,080 mm	k	98 mm
b = min. water level	309 mm	q	206 mm
c	309 mm	r	108 mm
d	110 mm	s	325 mm
e	433 mm	t	176 mm
f	240 mm	v	13.5 mm
g	280 mm	w	561 mm
h	496 mm	x	90 mm
i	225 mm	y	260 mm
j	50 mm	z	220 mm

### Connections

Suction port	DN150 PN10
Discharge port	DN100 PN10
Suspension device 1	DN100S/2RK