

**Customer**

## Technical data

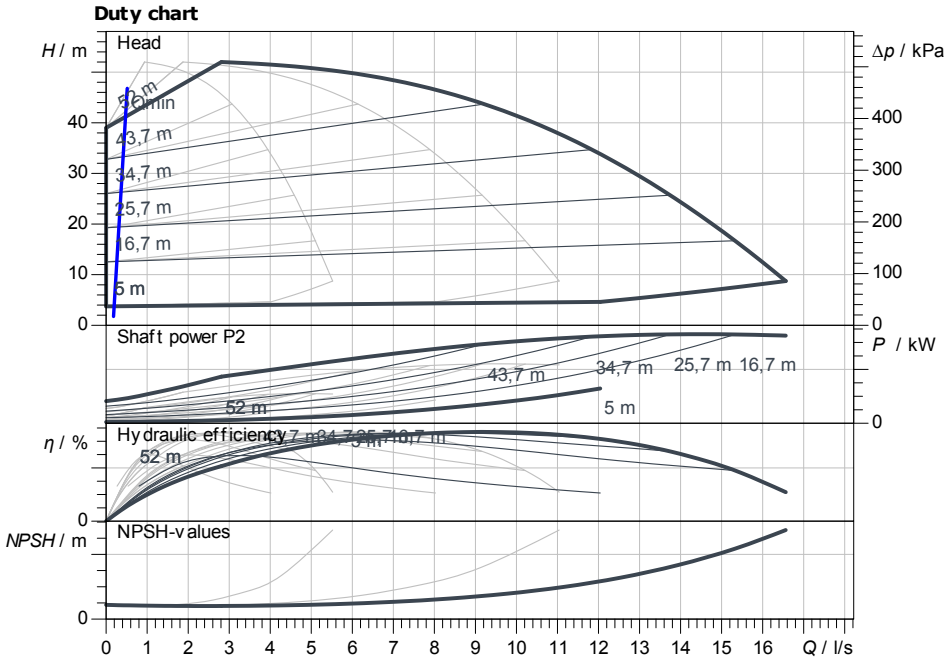
### Multi-pump system

### SiBoost2.0 Smart 3 Helix VE 1004

Project ID                      Untitled project 2025-03-31 01:18:10.632

Project name  
Installation location  
Customer pos. No.

Date                      2025-03-31



**Requested data**

Flow	
Head	
Media	Water 100 %
Fluid temperature	20.00 °C
Density	998.30 kg/m <sup>3</sup>
Kin. viscosity	1.00 mm <sup>2</sup> /s

**Hydraulic data (Duty point)**

Flow	
Head	
Shaft power P2	

**Product data**

Multi-pump system	
SiBoost2.0 Smart 3 Helix VE 1004	
Control	With frequency converter
No. of pumps	3
Max. operating pressure	1,600 kPa
Inlet pressure max.	10 bar
Fluid temperature	3 °C ... +50 °C
Max. ambient temperature	40 °C
Protection class motor	IP55
Protection class of switchgear	IP54
Diaphragm pressure vessel	Yes
Low-water cut-out switchgear	Yes

**Motordata per Motor/Pump**

Motor efficiency level	IE5
Mains connection	3~ 400 V / 60 Hz
Permitted voltage tolerance	400/50: +/- 10%, 380/60
Max. speed	
Rated power P2	2.20 kW
Rated current	3.90 A

Efficiency	0% / 75% / 100%
Insulation class	F
Motor protection	Yes

**Fitting dimensions**

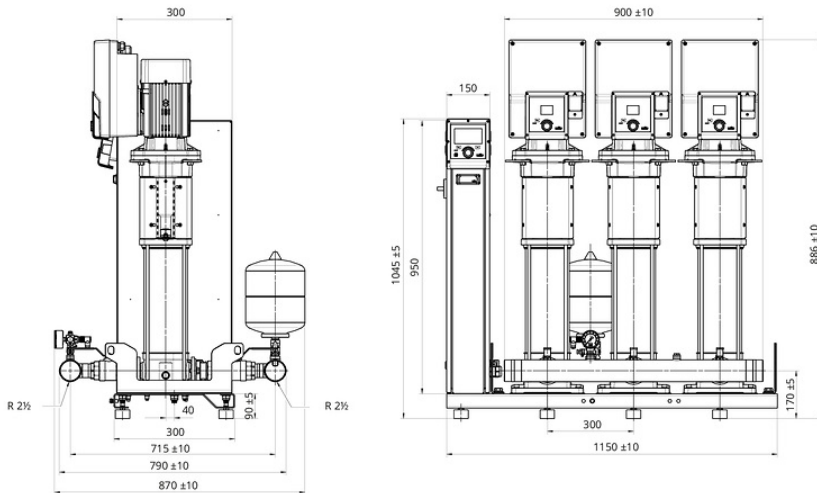
Pipe connection on the suction side	R 2½, PN 10
Pipe connection (pressure side)	R 2½, PN 16

**Materials**

Pump housing	1.4301
Impeller	1.4307
Shaft	1.4301
Shaft seal	BQ7EGG
Gasket material	EPDM
Pipework material	1.4307

**Information for order placements**

Weight approx.	192 kg
Item number	7000592



**Dimensions**                      mm

L0                      350

Contact  
E-mail  
Phone

**Customer**

Contact  
E-mail  
Phone

## Dimensions

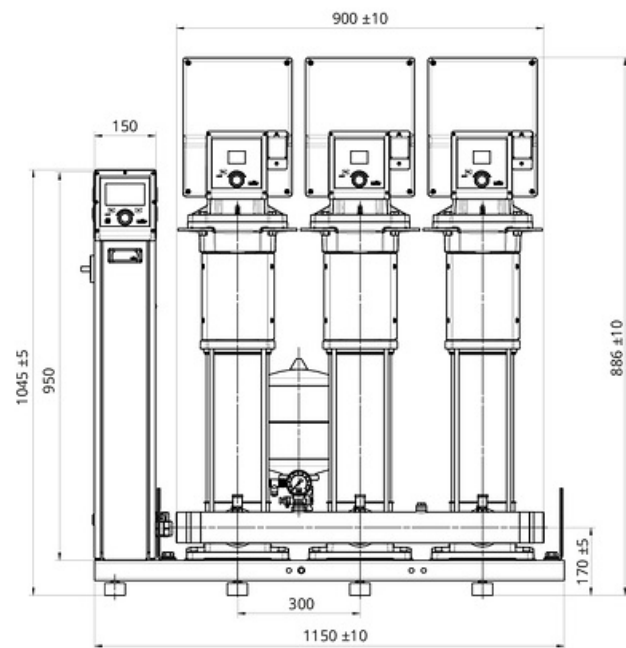
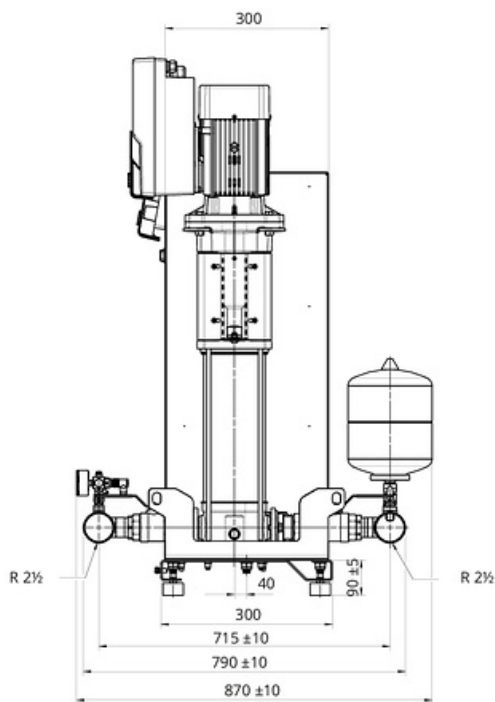
### Multi-pump system

SiBoost2.0 Smart 3 Helix VE 1004

Project ID                      Untitled project 2025-03-31 01:18:10.632

Project name  
Installation location  
Customer pos. No.

Date                      2025-03-31



Standard

Suction side                      R 2½, PN 10/PN 16

Discharge side                      R 2½, PN 10/PN 16

**Dimensions**                      mm

Name	Value	Name	Value	Name	Value	Name	Value
L0	350						