

Customer

Technical data

Multi-pump system

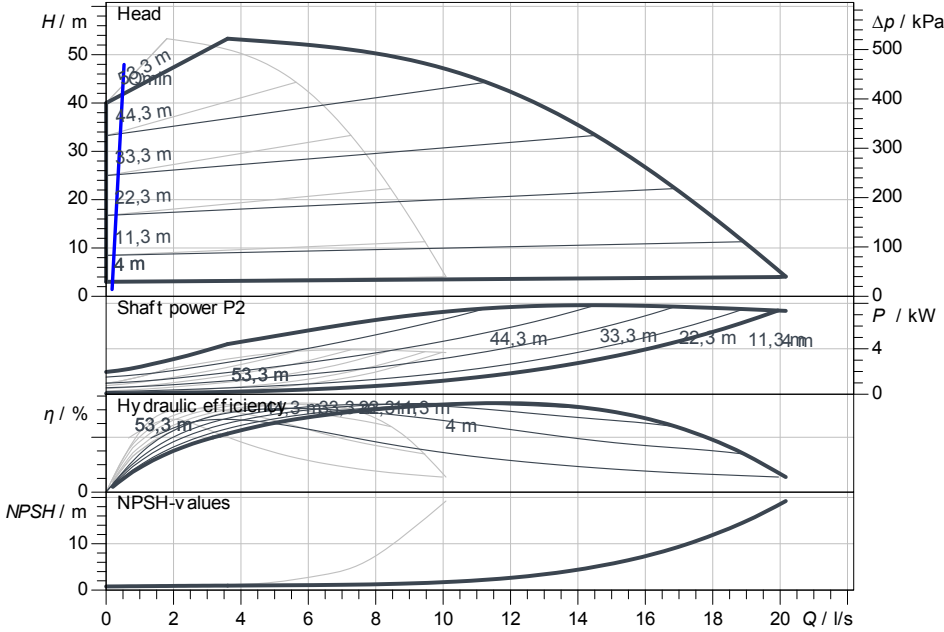
SiBoost2.0 Smart 2 Helix VE 1603/4kW

Project ID: Untitled project 2025-03-31 01:18:10.632

Project name
Installation location
Customer pos. No.

Date: 2025-03-31

Duty chart



Requested data

Flow
Head
Media: Water 100 %
Fluid temperature: 20.00 °C
Density: 998.30 kg/m³
Kin. viscosity: 1.00 mm²/s

Hydraulic data (Duty point)

Flow
Head
Shaft power P2

Product data

Multi-pump system
SiBoost2.0 Smart 2 Helix VE 1603/4kW
Control: With frequency converter
No. of pumps: 2
Max. operating pressure: 1,600 kPa
Inlet pressure max.: 10 bar
Fluid temperature: 3 °C ... +50 °C
Max. ambient temperature: 40 °C
Protection class motor: IP55
Protection class of switchgear: IP54
Diaphragm pressure vessel: Yes
Low-water cut-out switchgear: Yes

Motordata per Motor/Pump

Motor efficiency level: IE5
Mains connection: 3~ 400 V / 60 Hz
Permitted voltage tolerance: 400/50: +/- 10%, 380/60
Max. speed
Rated power P2: 4.00 kW
Rated current: 6.90 A

Efficiency: 50% / 75% / 100%
Insulation class: F
Motor protection: Yes

Fitting dimensions

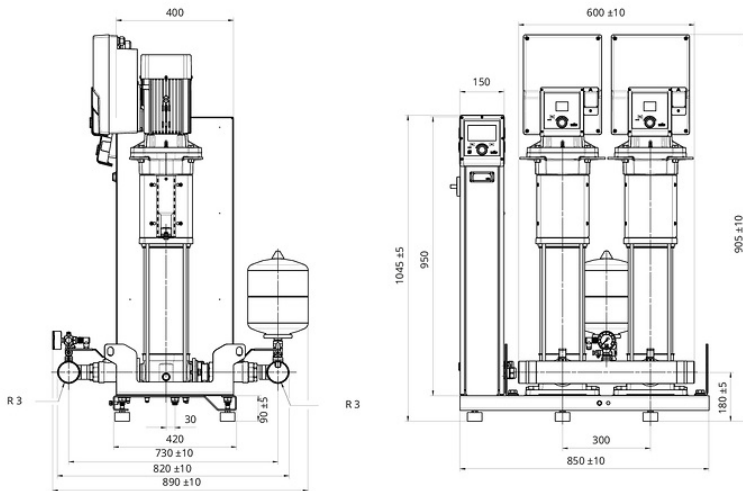
Pipe connection on the suction side: R 3, PN 10
Pipe connection (pressure side): R 3, PN 16

Materials

Pump housing: 1.4301
Impeller: 1.4307
Shaft: 1.4301
Shaft seal: BQ7EGG
Gasket material: EPDM
Pipework material: 1.4307

Information for order placements

Weight approx.: 161 kg
Item number: 7000612



Dimensions mm

L0: 350

Contact
E-mail
Phone

Customer

Contact
E-mail
Phone

Dimensions

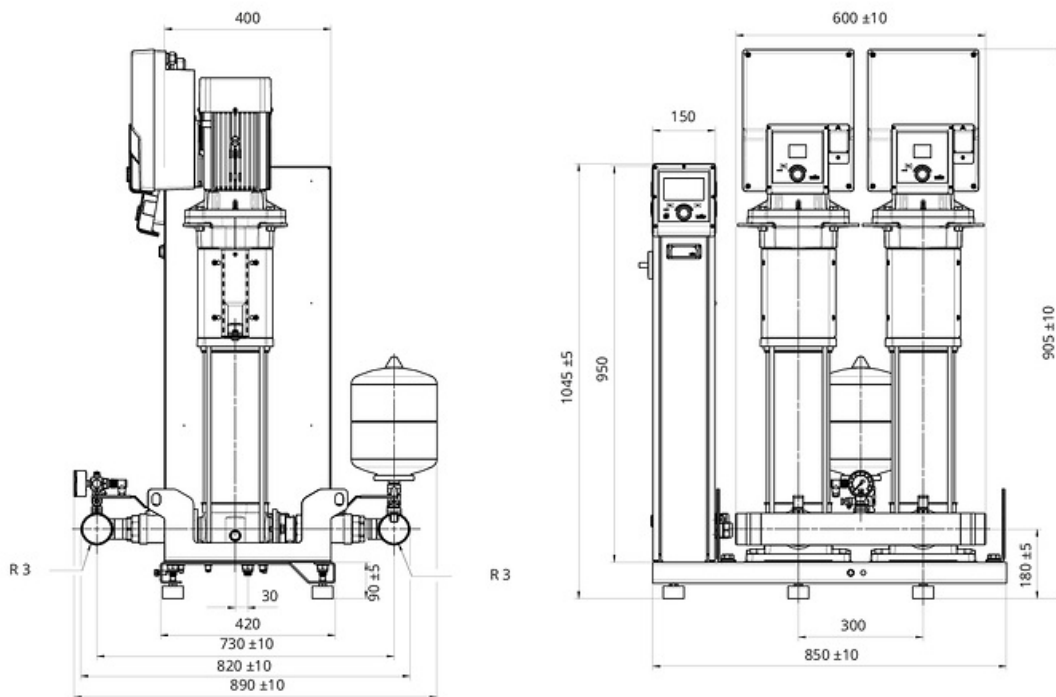
Multi-pump system

SiBoost2.0 Smart 2 Helix VE 1603/4kW

Project ID Untitled project 2025-03-31 01:18:10.632

Project name
Installation location
Customer pos. No.

Date 2025-03-31



Standard

Suction side R 3, PN 10/PN 16
Discharge side R 3, PN 10/PN 16

Dimensions mm

Name	Value	Name	Value	Name	Value	Name	Value
L0	350						