

**Customer**

# Technical data

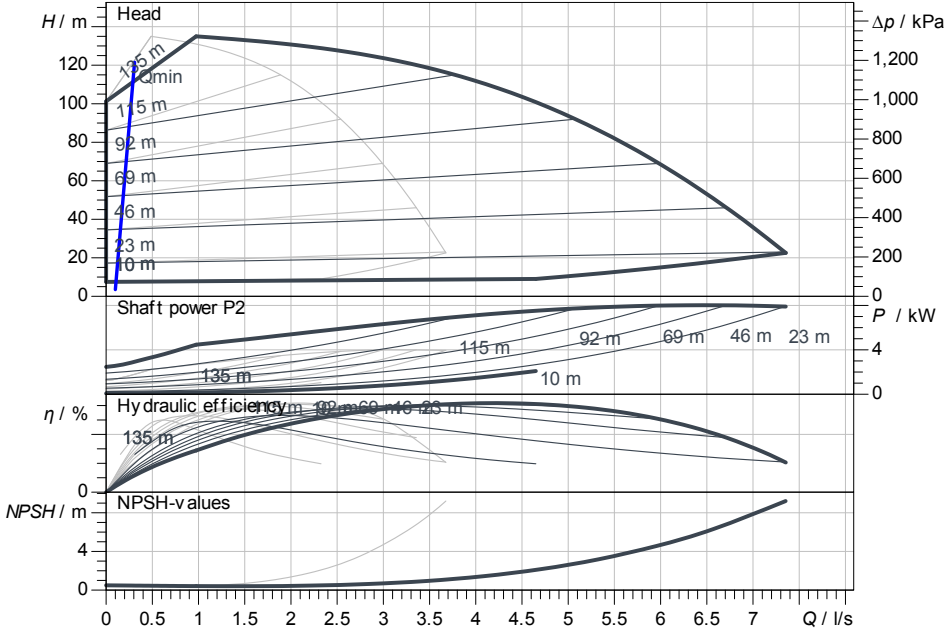
## Multi-pump system SiBoost2.0 Smart 2 Helix VE 611

Project ID: Untitled project 2025-03-31 01:18:10.632

Project name  
Installation location  
Customer pos. No.

Date: 2025-03-31

**Duty chart**



**Requested data**

Flow  
Head  
Media: Water 100 %  
Fluid temperature: 20.00 °C  
Density: 998.30 kg/m<sup>3</sup>  
Kin. viscosity: 1.00 mm<sup>2</sup>/s

**Hydraulic data (Duty point)**

Flow  
Head  
Shaft power P2

**Product data**

Multi-pump system  
SiBoost2.0 Smart 2 Helix VE 611  
Control: With frequency converter  
No. of pumps: 2  
Max. operating pressure: 1,600 kPa  
Inlet pressure max.: 10 bar  
Fluid temperature: 3 °C ... +50 °C  
Max. ambient temperature: 40 °C  
Protection class motor: IP55  
Protection class of switchgear: IP54  
Diaphragm pressure vessel: Yes  
Low-water cut-out switchgear: Yes

**Motordata per Motor/Pump**

Motor efficiency level: IE5  
Mains connection: 3~ 400 V / 60 Hz  
Permitted voltage tolerance: 400/50: +/- 10%, 380/60  
Max. speed  
Rated power P2: 4.00 kW  
Rated current: 6.90 A

Efficiency: 50% / 75% / 100%  
Insulation class: F  
Motor protection: Yes

**Fitting dimensions**

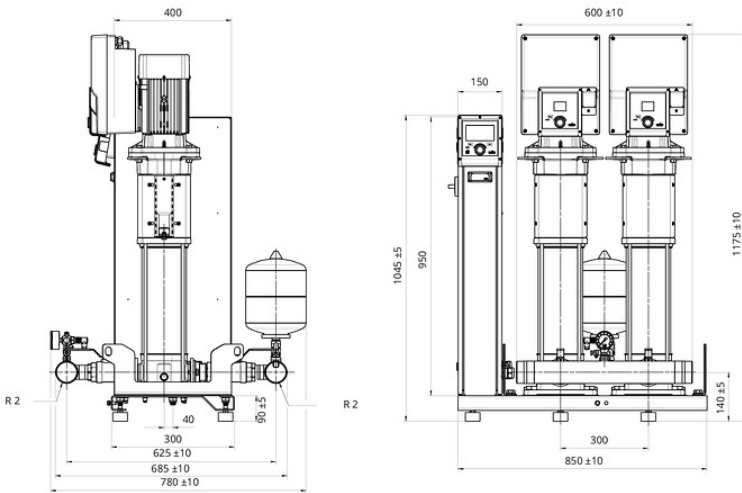
Pipe connection on the suction side: R 2, PN 10  
Pipe connection (pressure side): R 2, PN 16

**Materials**

Pump housing: 1.4301  
Impeller: 1.4307  
Shaft: 1.4301  
Shaft seal: BQ7EGG  
Gasket material: EPDM  
Pipework material: 1.4307

**Information for order placements**

Weight approx.: 156 kg  
Item number: 7000582



**Dimensions** mm

L0: 350

Contact  
E-mail  
Phone

**Customer**

Contact  
E-mail  
Phone

## Dimensions

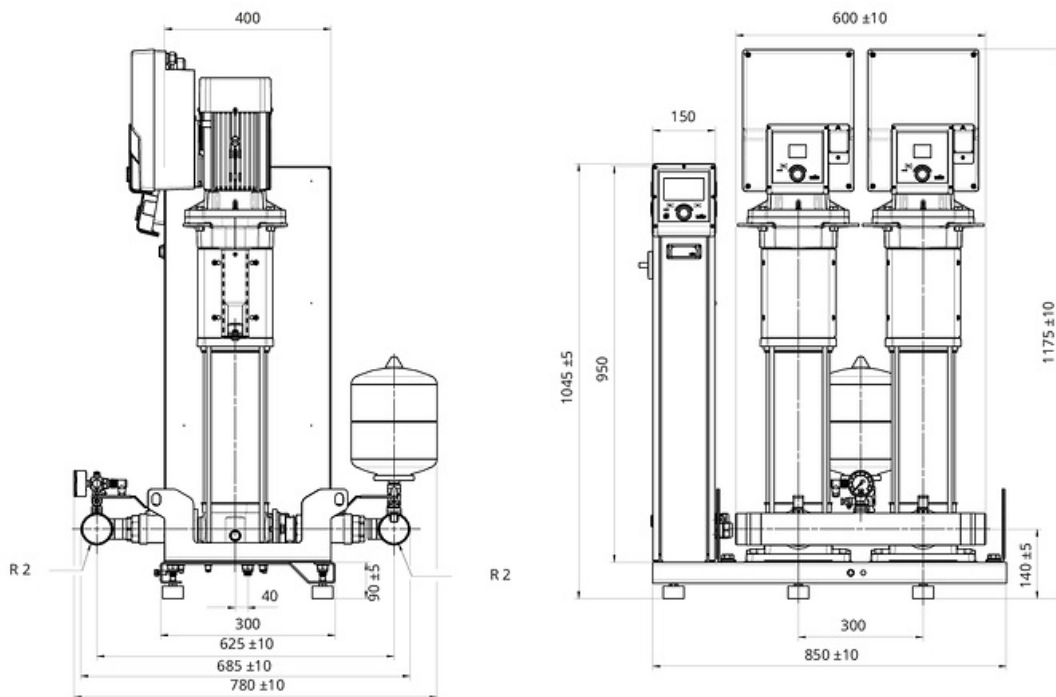
### Multi-pump system

SiBoost2.0 Smart 2 Helix VE 611

Project ID                      Untitled project 2025-03-31 01:18:10.632

Project name  
Installation location  
Customer pos. No.

Date                      2025-03-31



**Standard**

Suction side                      R 2, PN 10/PN 16  
Discharge side                      R 2, PN 10/PN 16

**Dimensions**                      mm

Name	Value	Name	Value	Name	Value	Name	Value
L0	350						