

## 92SV2G03046T/D

### Technical data

Company name  
Contact  
Phone number  
e-mail address

#### Operating data

Pump type	Single head pump	Fluid	Water
Available system NPSH	ft 0	Operating temperature t A	°F 39.2
Nominal flow	US g.p.m. 0	pH-value at t A	7
Nominal head	ft 0	Density at t A	lb/ft <sup>3</sup> 62.4
Static head	ft 0	Kin. viscosity at t A	ft <sup>2</sup> /s 1.689E-5
Inlet pressure	psi 0	Vapor pressure at t A	psi 14.5
Environmental temperature	°F 68	Solids	0
		Altitude	ft 0

#### Pump data

Make	Lowara	Nominal	US g.p.m. ( )
Speed	rpm 1750	Flow	Max- US g.p.m. 317
Number of stages	2		Min- US g.p.m.
Max. casing pressure	psi	Nominal	ft
Max. working pressure	psi 33.3	Head	at Qmax ft 30.7
Head H(Q=0)	ft 77		at Qmin ft 76.9
Weight	lb 228	Shaft power	hp ( )
	Max. inch 5 3/4	Max. shaft power	hp 3.9
Impeller R	designed inch 5 3/4	Efficiency	%
	Min. inch 5 3/4	NPSH 3%	ft

#### Pump Materials

Pump body	Cast iron
Lower support	Cast iron
Impeller	Stainless steel / AISI 316L
Diffuser	Stainless steel / AISI 304
Outer sleeve	Stainless steel / AISI 304
Shaft	Stainless steel / AISI 431
Adapter	Cast iron
Wear ring	Technopolymer PPS
Coupling	Cast iron
Upper head	Cast iron
SEAL HOUSING	Cast iron
Coupling protection	Stainless steel / AISI 304
Shaft sleeve and bushing	Tungsten carbide
Bushing for diffuser	Carbon
Fill / drain plugs	Stainless steel / AISI 316

#### Shaft Seal

e-SV Mechanical seal	Roten
e-SV - Uniten (-30 / +120 °C)	
1 - Rotating part	Silicon Carbide
2 - Stationary part	Resin impregnated carbon
3 - Elastomers	EPDM
4 - Springs	AISI 316
5 - Other components	AISI 316

#### Motor data

Manufacturer	Lowara	Electric voltage	220 V	Speed	1746 rpm	Insulation class	F
Specific design	IE3 3ph Flange Motor			Frame size	100 L	Colour	RAL 5010
Type	PLM 100 B14 3 kW						
Rated power	4.0231 hp	Degree of protection	IP55				
Electric current	11.5 A						

#### Remarks:

**92SV2G03046T/D**

**Performance curve**

Company name  
Contact  
Phone number  
e-mail address

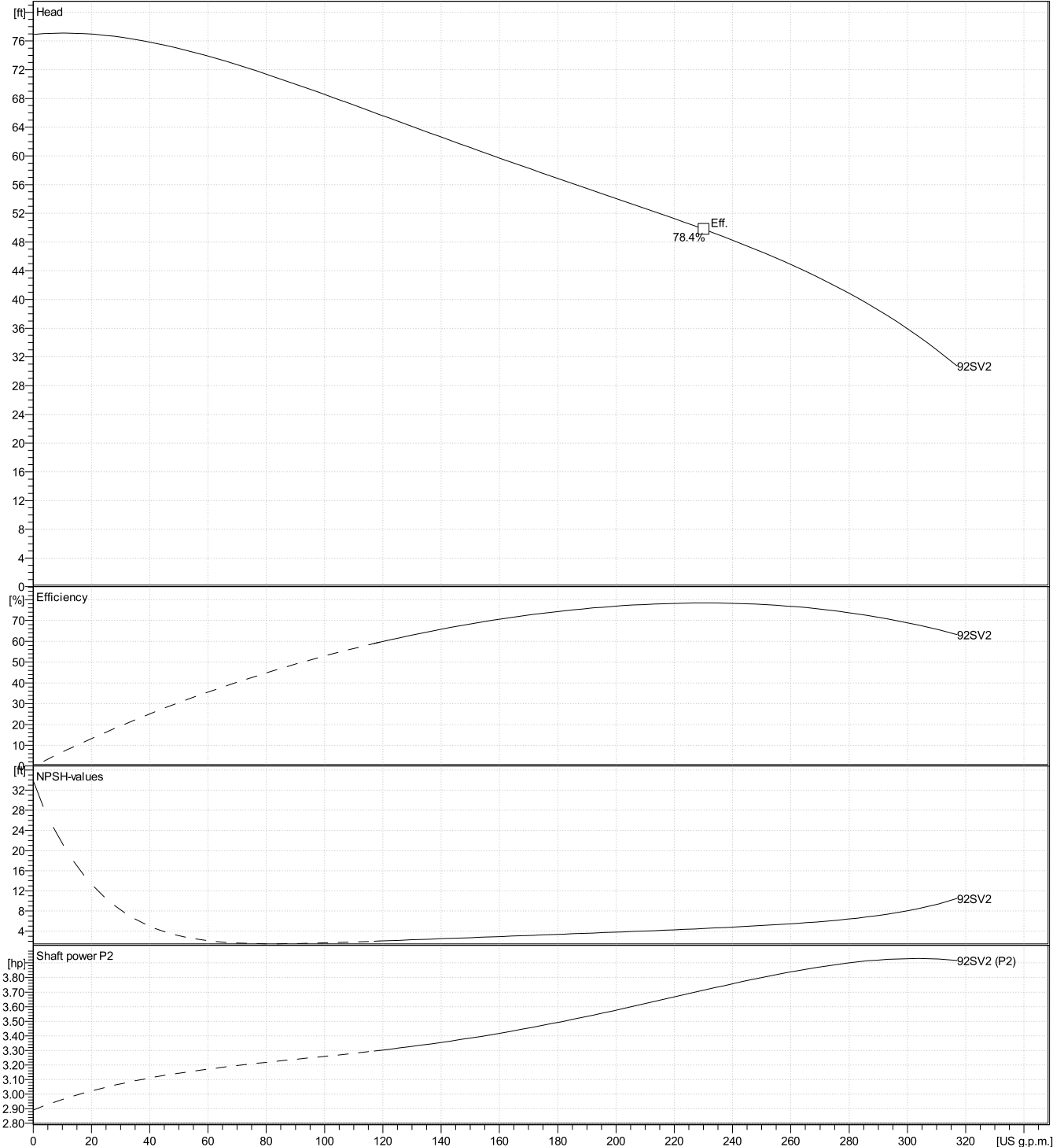
**Hydraulic data**

Operating Data Specification		Hydraulic data (duty point)		Impeller design	
Flow	0 US g.p.m.	Flow		Impeller R	5 3/4 inch
Head	0 ft	Head		Frequency	60 Hz
Static head	0 ft	MEI	---	Speed	1750 rpm

**Power datas referred to:**

Water [100%] ; 39.2°F; 62.4lb/ft³; 1.69E-5ft²/s

Performance according to ISO 9906:2012 – Grade 3B

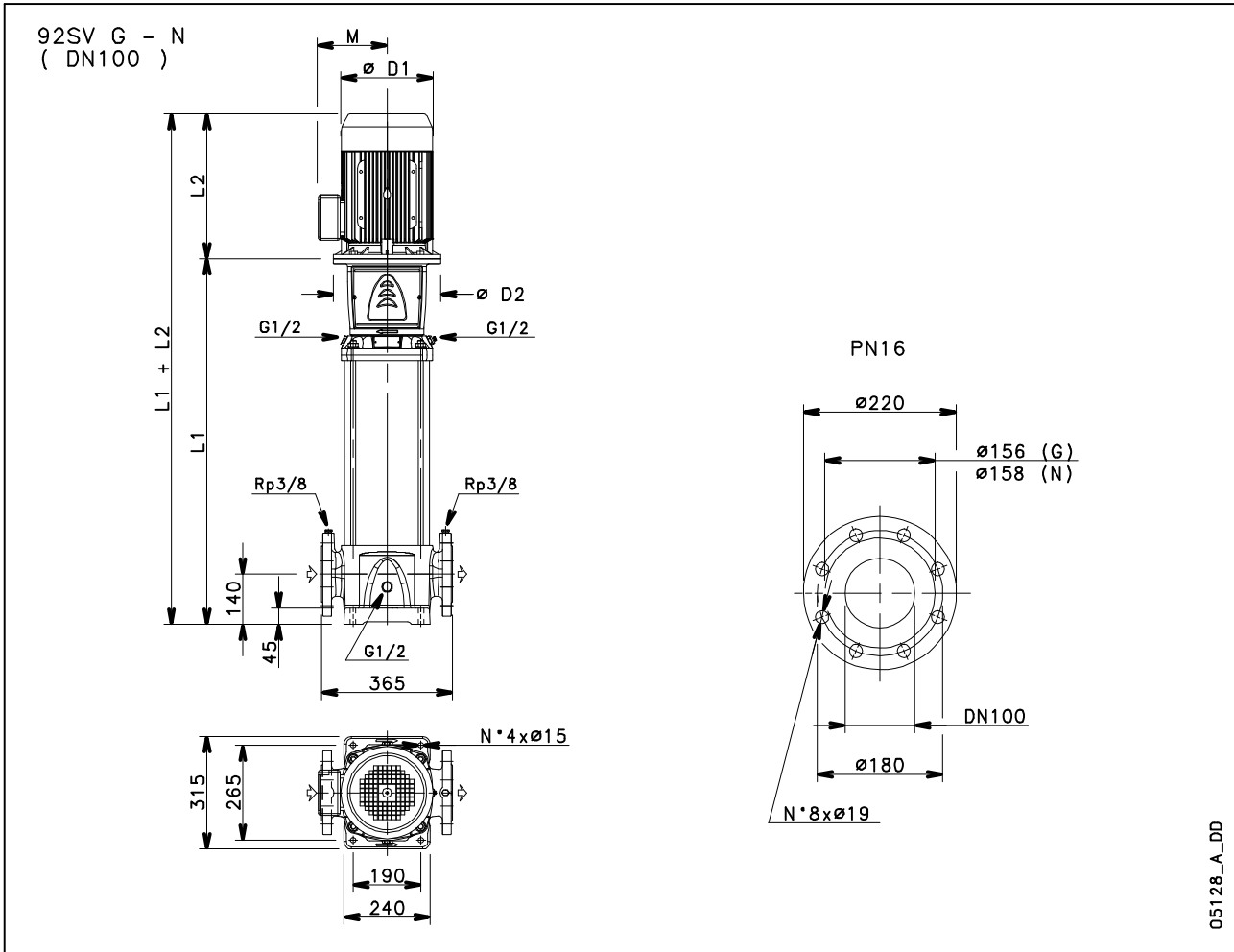


**92SV2G03046T/D**

**Dimensions**

Company name  
Contact  
Phone number  
e-mail address

**Drawing**



05128\_A\_DD

**Dimensions inch**

Electrical and dimensional data refer to IE3 motor

D1	8 <sup>7</sup> / <sub>16</sub>					Weight 200 lb
D2	6 <sup>7</sup> / <sub>16</sub>					
L1	25 <sup>3</sup> / <sub>8</sub>					
L2	13 <sup>7</sup> / <sub>8</sub>					
M	6 <sup>5</sup> / <sub>8</sub>					