

1SV07F00246T/D

Technical data

Company name
Contact
Phone number
e-mail address

Operating data

Pump type	Single head pump	Fluid	Water
Available system NPSH	ft 0	Operating temperature at t A	°F 39.2
Nominal flow	US g.p.m. 0	pH-value at t A	7
Nominal head	ft 0	Density at t A	lb/ft ³ 62.4
Static head	ft 0	Kin. viscosity at t A	ft ² /s 1.689E-5
Inlet pressure	psi 0	Vapor pressure at t A	psi 14.5
Environmental temperature	°F 68	Solids	0
		Altitude	ft 0

Pump data

Make	Lowara	Nominal	US g.p.m. ()
Speed	rpm 1750	Flow	Max- US g.p.m. 6.2
Number of stages	7		Min- US g.p.m.
Max. casing pressure	psi	Nominal	ft
Max. working pressure	psi 21.8	Head	at Qmax ft 30
Head H(Q=0)	ft 50		at Qmin ft 50.3
Weight	lb 35	Shaft power	hp ()
	Max. inch 2 7/8	Max. shaft power	hp .1
Impeller R	designed inch 2 7/8	Efficiency	%
	Min. inch 2 7/8	NPSH 3%	ft

Pump Materials

Pump body	Stainless steel / AISI 304
Impeller	Stainless steel / AISI 304
Diffuser	Stainless steel / AISI 304
Outer sleeve	Stainless steel / AISI 304
Shaft	Stainless steel / AISI 304
Adapter	Cast iron
Base	Aluminium
Coupling	Aluminium
SEAL HOUSING	Stainless steel / AISI 304
Coupling protection	Stainless steel / AISI 304
Shaft sleeve and bushing	Tungsten carbide
Fill / drain plugs	Stainless steel / AISI 304
Tie rods	Galvanized steel
Wear ring	Technopolymer PPS

Shaft Seal

e-SV Mechanical seal	Roten
e-SV - Uniten (-30 / +120 °C)	
1 - Rotating part	Silicon Carbide
2 - Stationary part	Resin impregnated carbon
3 - Elastomers	EPDM
4 - Springs	AISI 316
5 - Other components	AISI 316

Motor data

Manufacturer	Xylem	Electric voltage	265 V	Speed	1700 rpm	Insulation class	F
Specific design	IE2 3ph Flange Motor			Frame size	71	Colour	RAL 5010
Type	LLM471B14/302						
Rated power	0.33526 hp	Degree of protection	IP55				
Electric current	1.05 A						

Remarks:

1SV07F00246T/D

Performance curve

Company name
Contact
Phone number
e-mail address

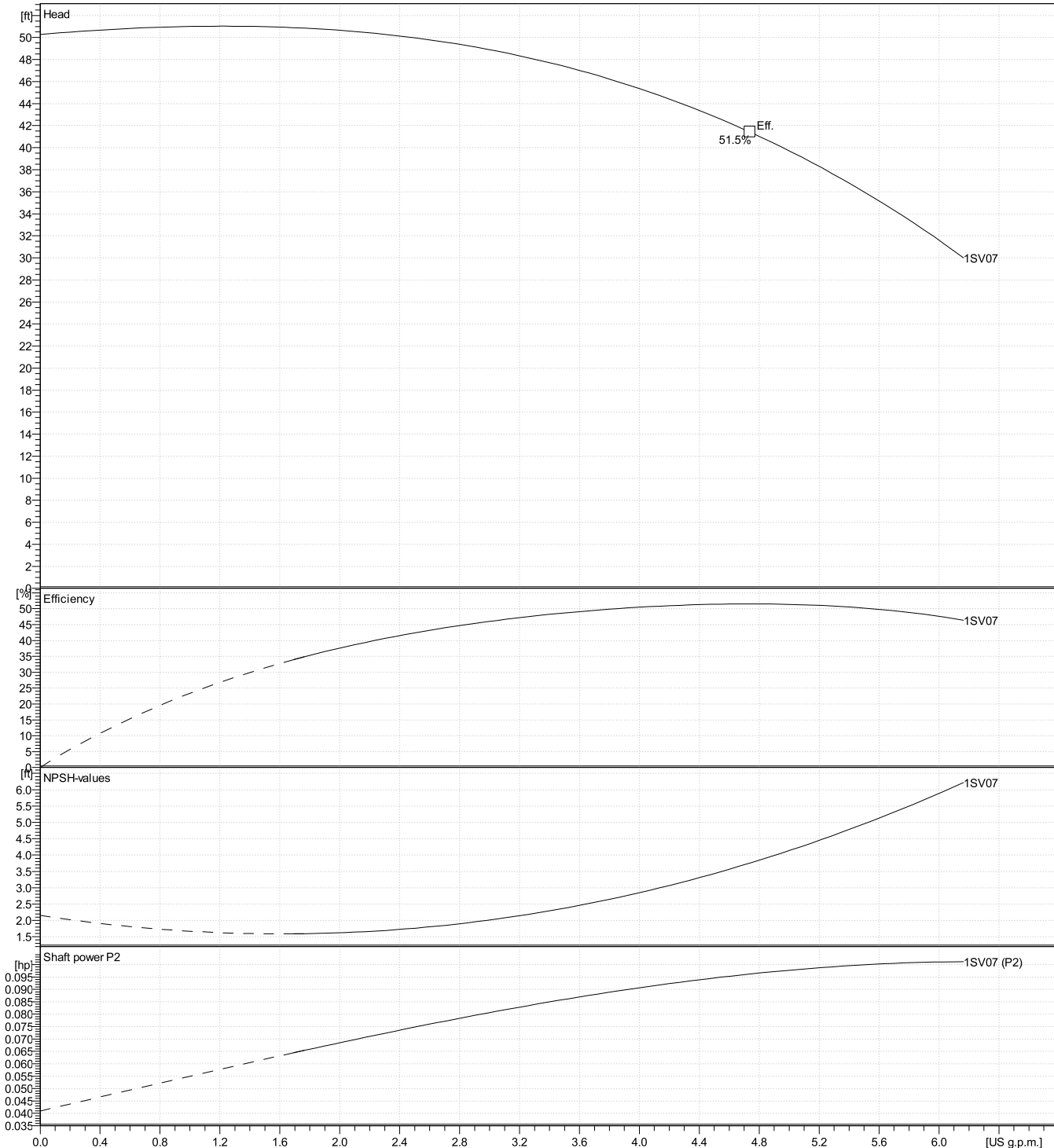
Hydraulic data

Operating Data Specification		Hydraulic data (duty point)		Impeller design	
Flow	0 US g.p.m.	Flow		Impeller R	2 7/8 inch
Head	0 ft	Head		Frequency	60 Hz
Static head	0 ft	MEI	---	Speed	1750 rpm

Power datas referred to:

Water [100%] ; 39.2°F; 62.4lb/ft³; 1.69E-5ft²/s

Performance according to ISO 9906:2012 – Grade 3B

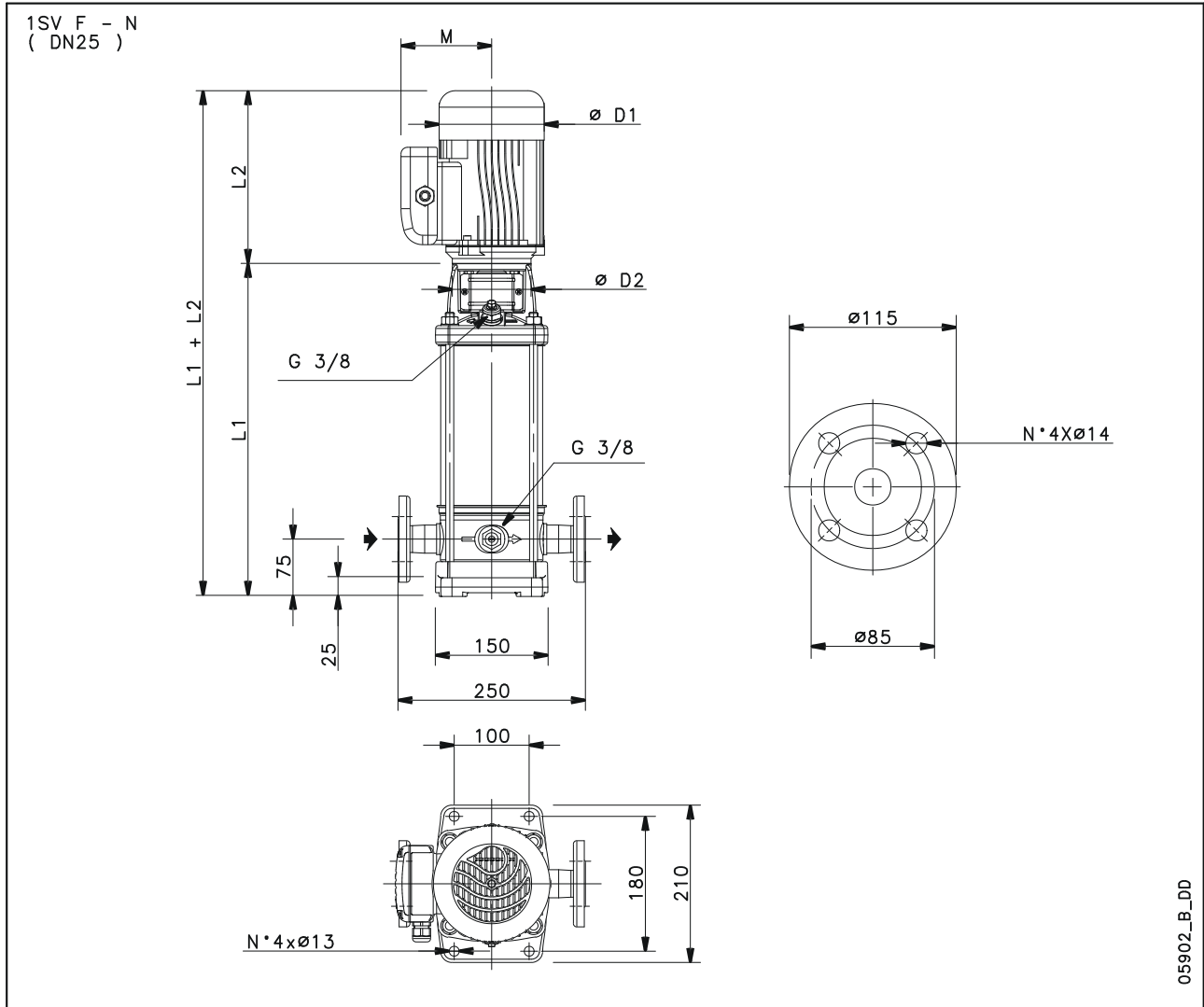


1SV07F00246T/D

Dimensions

Company name
Contact
Phone number
e-mail address

Drawing



Dimensions inch

D1	6 ¹ / ₄					Weight 40 lb
D2	4 ⁷ / ₈					
L1	14 ¹ / ₈					
L2	8 ³ / ₈					
M	4 ⁵ / ₁₆					